

5 Hall sensor

● Measuring

–AC, DC, pulse and other complex current signals

● Features

- Small package size
- Low power consumption
- Extended measuring range

● Application

- AC variable speed drives
- Battery supplied applications
- Uninterruptible Power Supplies

● Technical data

Technical parameters		Open-loop	
		Real-time values	Hall (true RMS)
Output	Nominal value	Voltage: $\pm 5V \pm 4V$	Current: 4–20mA
	Zero offset voltage (current)	Voltage: $\pm 20mV$	Current: $\pm 0.05mA$
	Offset voltage (current) drift	Voltage: $\leq \pm 1.0mV/^\circ C$	Current: $\pm 0.04mA/^\circ C$
	Linearity	$\leq 0.2\%FS$	
Power voltage		DC $\pm 15V$ DC 12V/24V	DC 12V/24V
Bandwidth		0–20kHz	
Response time		$\leq 20 \mu s$	$\leq 1ms$
Dielectric strength		Permissible 3500VAC between input/output	
Accuracy class		1.0	
Environment	Temperature	$-40^\circ C \sim +85^\circ C$	
	Humidity	Up to 95%,no condensing	
	Altitude	$\leq 3500m$	

● Specifications

Appearance	Type	Rated input	Auxiliary Power	Rated Output	Measuring Aperture (mm)	
	TGE-EKA	$\pm (50-500)A$	$\pm 12V \sim \pm 15V$	$\pm 5V/4V$	$\phi 20$	Split
	TGE-EKAA	DC 0~(50-500)A	12V, 24V	4-20mA		
	TGE-EKB	$\pm (200-1000)A$	$\pm 12V \sim \pm 15V$	$\pm 5V/4V$	$\phi 40$	Split
	TGE-EKBA	DC 0~(200-1000)A	12V, 24V	4-20mA		
	TGE-EKC	$\pm (500-1500)A$	$\pm 12V \sim \pm 15V$	$\pm 5V/4V$	$\phi 60$	Split
	TGE-EKCA	DC 0~ (500-1500)A	12V, 24V	4-20mA		
	TGE-K	$\pm (400-2000)A$	$\pm 12V \sim \pm 15V$	$\pm 5V/4V$	64 x 16	Split
	TGE-KAA	DC0~(400-2000)A	12V, 24V	4-20mA		
	TGE-H	$\pm (500-3000)A$	$\pm 12V \sim \pm 15V$	$\pm 5V/4V$	82 x 32	Split
	TGE-KA	$\pm (500-5000)A$	$\pm 12V \sim \pm 15V$	$\pm 5V/4V$	104 x 36	Split
	TGE-HB	$\pm (2000-40000)A$	$\pm 12V \sim \pm 15V$	$\pm 5V/4V$	132 x 52	Split
	TGE-HBAA	DC0~(2000-40000)A	12V, 24V	4-20mA		
	TGE-E	$\pm (50-500)A$	$\pm 12V \sim \pm 15V$	$\pm 5V/4V$	$\pm 5V/4V$	$\phi 20$
	TGE-LT	$\pm (100-800)A$	$\pm 12V \sim \pm 15V$	$\pm 5V/4V$	$\pm 5V/4V$	$\phi 32.5$
	TGE-C	$\pm (100-800)A$	$\pm 12V \sim \pm 15V$	$\pm 5V/4V$	$\pm 5V/4V$	30*10.5
	TGE-BS	$\pm (50-500)A$	$\pm 12V \sim \pm 15V$	$\pm 5V/4V$	20.5*10.5	closed
	TGE-BSA	DC0~(50-500)A	12V, 24V	4-20mA		
	TGE-F	$\pm (200-1000)A$	$\pm 12V \sim \pm 15V$	$\pm 5V/4V$	43*13	closed
	TGE-FA	$\pm (200-1500)A$	$\pm 12V \sim \pm 15V$	$\pm 5V/4V$	52*15	closed
	TGE-HAT	$\pm (400-2000)A$	$\pm 12V \sim \pm 15V$	$\pm 5V/4V$	52*32	closed

● Spec. and size (unit: mm)

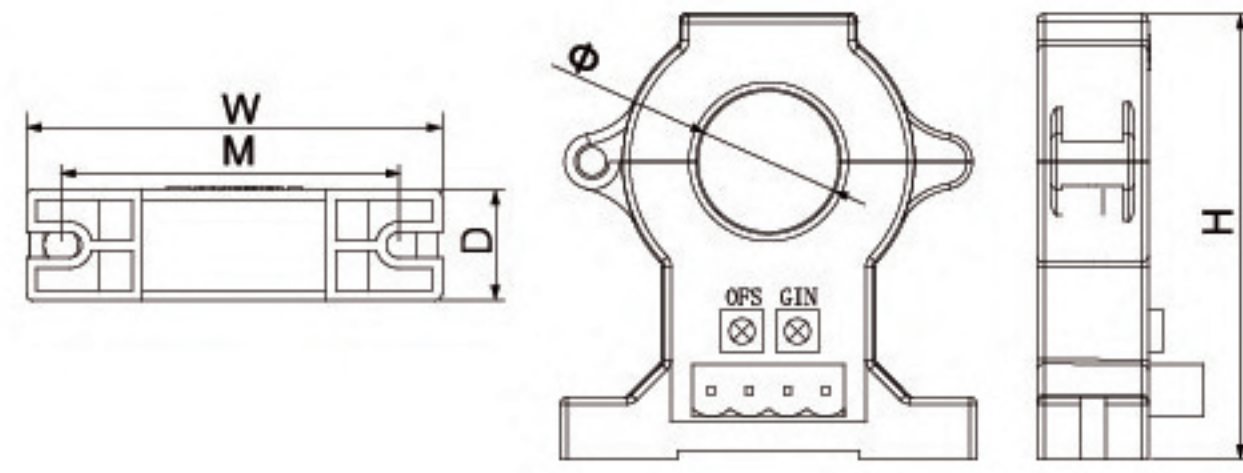


Fig.1

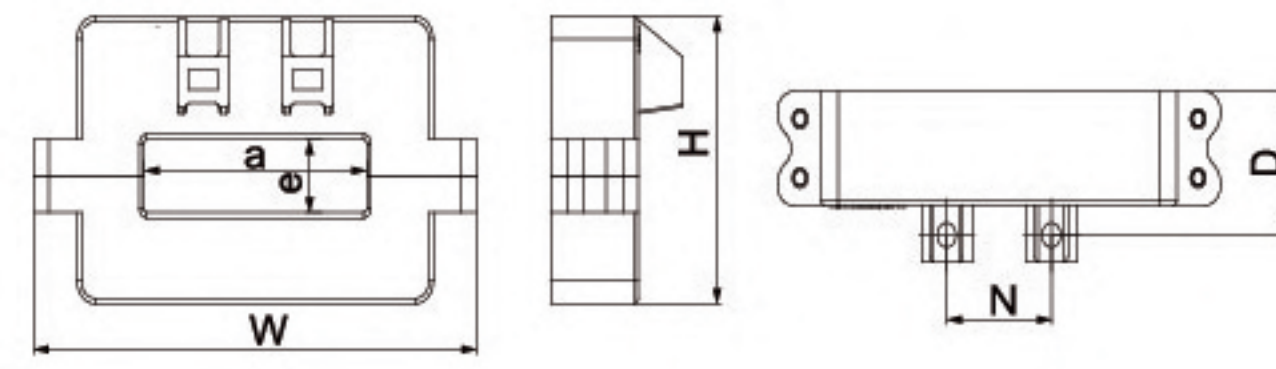


Fig.2

Size	Specification	Outline size			Through size			Mounting size		Figure
		W	H	D	a	e	Φ	M	N	
	TGE-EKA	60	64	16	/	/	20	47	/	Fig.1
	TGE-EKAA	60	64	16	/	/	20	47	/	Fig.1
	TGE-EKB	100	102	24	/	/	40	80	/	Fig.1
	TGE-EKBA	100	102	24	/	/	40	80	/	Fig.1
	TGE-K	127	63	25	64	16	/	/	30	Fig.2
	TGE-KAA	127	63	25	64	16	/	/	30	Fig.2
	TGE-H	149	79	25	82	32	/	/	46	Fig.2
	TGE-KA	176	95.5	29	104	36	/	/	60	Fig.2
	TGE-HB	204	111.5	29	132	52	/	/	48 × 2	Fig.2

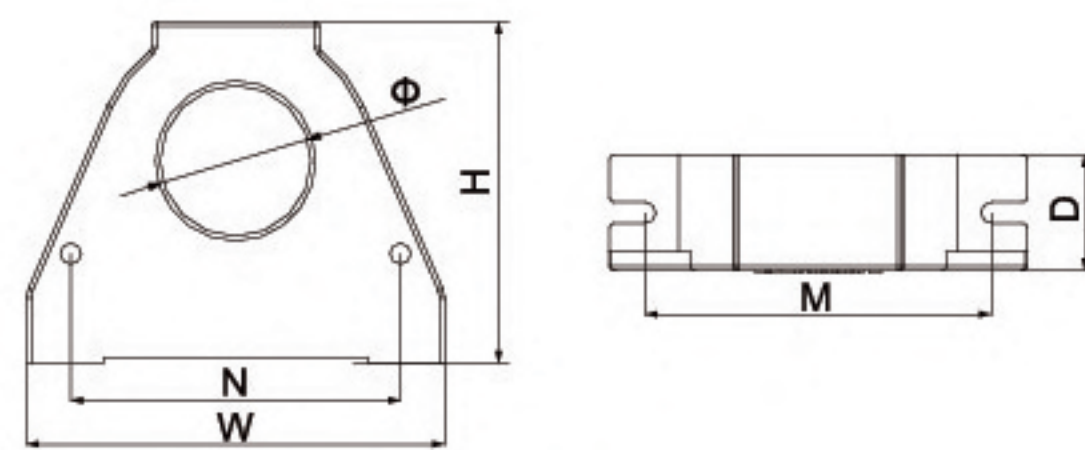


Fig.3

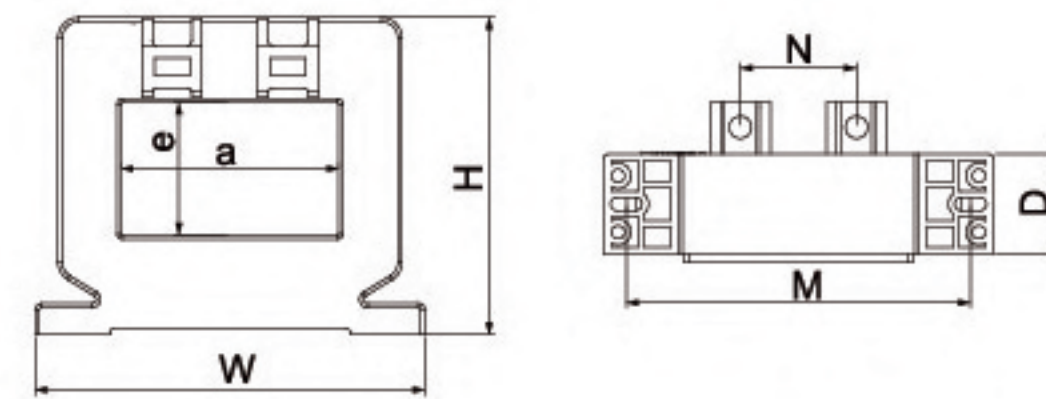


Fig.4

Size	Specification	Outline size			Through size			Mounting size		Figure
		W	H	D	a	e	Φ	M	N	
	TGE-E	53	72	16	/	/	21	47	/	Fig.3
	TGE-LT	90	73.5	25	/	/	32.5	74.5	71	Fig.3
	TGE-BS	43	32.5	19	20.5	10.5	/	/	/	Fig.3
	TGE-BSA	43	32.5	19	20.5	10.5	/	/	/	Fig.3
	TGE-F	74	57	22	43	13	/	/	22	Fig.4
	TGE-FA	94	60.5	26.5	52	15	/	83	28	Fig.4
	TGE-HAT	94	76.5	24	52.5	32	/	83	28	Fig.4