

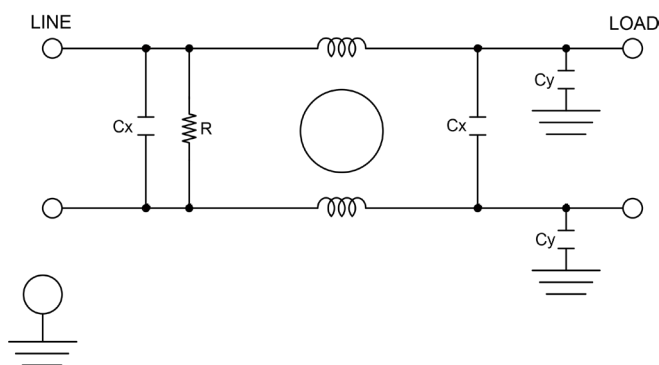
TG180

IEC INLET SINGLE STAGE POWER LINE FILTERS

FEATURES

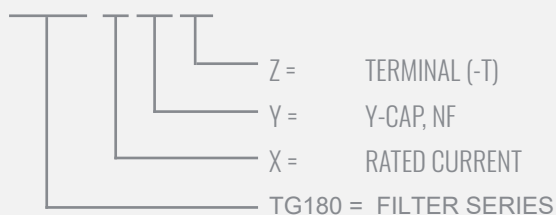
- » **Rated currents** include **15A** and **20A**
- » Single Stage Line Filter
- » Available with **QD** tabs or **W** (wireleads) options
- » High Performance
- » Agency Approved to UL1283/60929, CSA C22.2, EN 60939
- » Y-cap value can be adjusted to fit specifications

ELECTRICAL SCHEMATIC



HOW TO ORDER

TG180- X - Y - Z



SPECIFICATIONS

OPERATING FREQUENCY	50/60Hz
IEC INLET	C14
MAX. OPERATING VOLTAGE	250V +10%
AMBIENT TEMPERATURE	-25 TO 40°C
CLIMATIC CATEGORY	25/100/21
PLASTIC MTG FORCE	18 LBS.
TERMINALS (-T)	QD: 0.25" TABS WIRE LEADS
TYP. WEIGHT, LBS (KG)	0.2 (0.1)

TYPICAL LEAKAGE CURRENT

@ 250 VAC 50 Hz	0 - 0.8 mA Max.
@ 120 VAC 60 Hz	0 - 0.4 mA Max.

HIPOT RATINGS

LINE TO GROUND	2121 VDC
----------------	----------

TYPICAL APPLICATIONS

- ✓ Electronic Equipment
- ✓ Household Appliances
- ✓ Power Supplies
- ✓ Medical Equipment
- ✓ Fitness Systems
- ✓ Industrial Equipment

TG180

IEC INLET SINGLE STAGE POWER LINE FILTERS

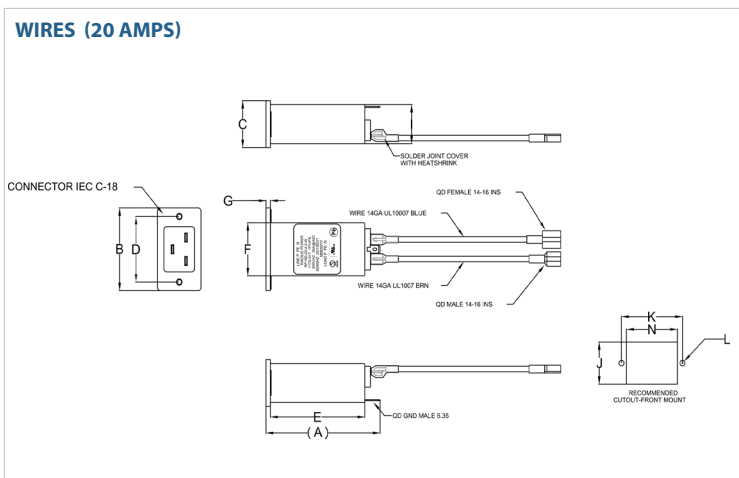
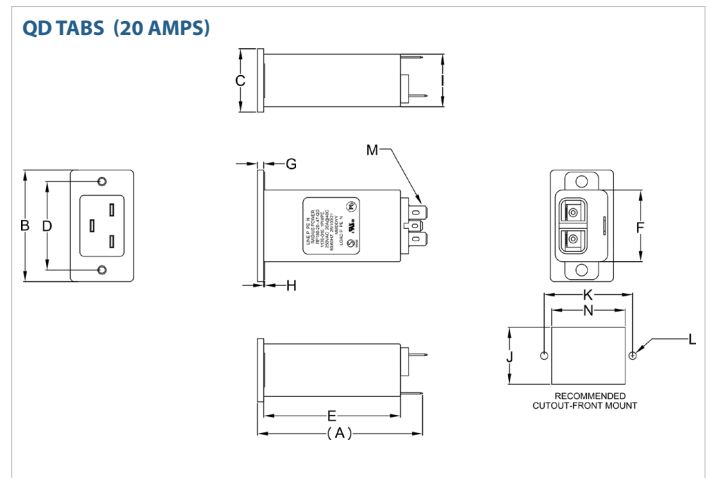
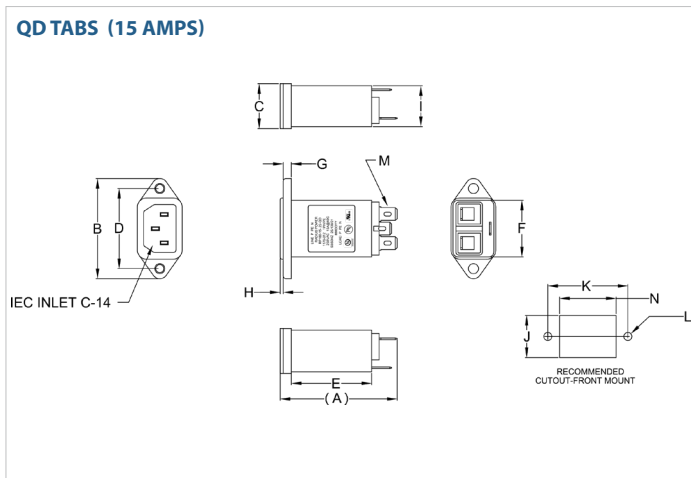
MODEL NO.	RATED CURRENT, A @ 40° C	Y-CAP, nF	LEAKAGE CURRENT, mA @ 250V AC, 50 Hz / @ 120V AC, 60 Hz		TERMINAL OPTIONS		MAX. DIMENSIONS" (MM)		
					(QD) OUTPUT	(W) OUTPUT	WIDTH	(LENGTH)	HEIGHT
TG180-15-0-Q D	15	0	-	-	✓		1.97" (50)	2.30" (58.45)	0.88" (22.4)
TG180-15-0-W	15	0	-	-		✓	1.97" (50)	1.63" (41.4)	0.88" (22.4)
TG180-15-22-Q D	15	0.22	0.03	0.02	✓		1.97" (50)	2.30" (58.45)	0.88" (22.4)
TG180-15-22-W	15	0.22	0.03	0.02		✓	1.97" (50)	1.63" (41.4)	0.88" (22.4)
TG180-15-47-Q D	15	0.47	0.07	0.04	✓		1.97" (50)	2.30" (58.45)	0.88" (22.4)
TG180-15-47-W	15	0.47	0.07	0.04		✓	1.97" (50)	1.63" (41.4)	0.88" (22.4)
TG180-15-1-Q D	15	1	0.15	0.09	✓		1.97" (50)	2.30" (58.45)	0.88" (22.4)
TG180-15-1-W	15	1	0.15	0.09		✓	1.97" (50)	1.63" (41.4)	0.88" (22.4)
TG180-15-2.2-Q D	15	2.2	0.34	0.19	✓		1.97" (50)	2.30" (58.45)	0.88" (22.4)
TG180-15-2.2-W	15	2.2	0.34	0.19		✓	1.97" (50)	1.63" (41.4)	0.88" (22.4)
TG180-15-4.7-Q D	15	4.7	0.73	0.42	✓		1.97" (50)	2.30" (58.45)	0.88" (22.4)
TG180-15-4.7-W	15	4.7	0.73	0.42		✓	1.97" (50)	1.63" (41.4)	0.88" (22.4)
TG180-20-0-Q D	20	0	-	-	✓		2.09" (53)	3.17" (80.6)	1.18" (30)
TG180-20-0-W	20	0	-	-		✓	2.09" (53)	3.09" (78.5)	1.18" (30)
TG180-20-22-Q D	20	0.22	0.03	0.02	✓		2.09" (53)	3.17" (80.6)	1.18" (30)
TG180-20-22-W	20	0.22	0.03	0.02		✓	2.09" (53)	3.09" (78.5)	1.18" (30)
TG180-20-47-Q D	20	0.47	0.07	0.04	✓		2.09" (53)	3.17" (80.6)	1.18" (30)
TG180-20-47-W	20	0.47	0.07	0.04		✓	2.09" (53)	3.09" (78.5)	1.18" (30)
TG180-20-1-Q D	20	1	0.15	0.09	✓		2.09" (53)	3.17" (80.6)	1.18" (30)
TG180-20-1-W	20	1	0.15	0.09		✓	2.09" (53)	3.09" (78.5)	1.18" (30)
TG180-20-2.2-Q D	20	2.2	0.34	0.19	✓		2.09" (53)	3.17" (80.6)	1.18" (30)
TG180-20-2.2-W	20	2.2	0.34	0.19		✓	2.09" (53)	3.09" (78.5)	1.18" (30)
TG180-20-4.7-Q D	20	4.7	0.73	0.42	✓		2.09" (53)	3.17" (80.6)	1.18" (30)
TG180-20-4.7-W	20	4.7	0.73	0.42		✓	2.09" (53)	3.09" (78.5)	1.18" (30)

*Contact factory for dimensions.

TG180

IEC INLET SINGLE STAGE POWER LINE FILTERS

TG180 MECHANICAL OUTLINES (MM)



SERIES	(A)	B	C	D	E	F	G	H	I	J	K	L	M	N
QD TABS (15A)	2.30" (58.45)	1.97" (50)	0.88" (22.4)	1.57" (40)	1.61" (41)	1.11" (28.2)	0.16" (4.1)	0.06" (1.5)	0.80" (20.4)	0.83" (21)	1.57" (40)	∅0.15, 2X ∅4.0, 2X	0.25, 3x QD, MALE, 6.35, 3x	1.11" (28.22)
QD TABS (20A)	3.17" (80.6)	2.09" (53)	1.18" (30)	1.66" (42.2)	2.56" (65)	1.38" (35)	0.12" (3)	0.02" (0.5)	0.98" (25)	1.07" (27.2)	1.65" (42)	∅0.07, 2X ∅3.50, 2X	0.25, 3x QD, MALE, 6.35, 3x	1.39" (35.2)
WIRES (20A)	3.09" (78.5)	2.09" (53)	1.18" (30)	1.66" (42.2)	2.56" (65)	1.34" (34)	0.12" (3)	N/A	1.02" (26)	1.07" (27.2)	1.65" (42)	∅0.07, 2X ∅3.50, 2X	N/A	1.39" (35.2)

TYPICAL TOLERANCE: +/-0.02" (0.50MM)

TG180

IEC INLET SINGLE STAGE POWER LINE FILTERS

TYPICAL INSERTION LOSS, dB (50/50 Ohm)

Amps	Freq (MHz)	0.15	0.5	1.0	10	30
15	CM (dB)	8	18	26	45	50
	DM (dB)	10	18	22	50	50
20	CM (dB)	10	20	26	45	55
	DM (dB)	14	24	30	55	55