

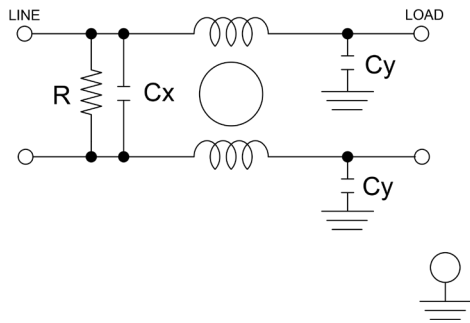
TG190

COMPACT SINGLE STAGE PCB MOUNT POWER LINE FILTER

FEATURES

- » Rated currents include **1A, 3A, 6A and 10A**
- » Single Stage Line Filter
- » Available with Pins for PCB mounting
- » Compact Design
- » Agency Approved to UL1283 / 60929, CSA C22.2, EN 60939
- » Y-cap value can be adjusted to fit specifications

ELECTRICAL SCHEMATIC



HOW TO ORDER

TG190- X - Y - Z

- Z = TERMINAL (-T)
- Y = Y-CAP, NF
- X = RATED CURRENT
- TG190 = FILTER SERIES



SPECIFICATIONS

OPERATING FREQUENCY	DC - 60Hz
MAX. OPERATING VOLTAGE	250V +10%
AMBIENT TEMPERATURE	40°C
INRUSH RATING	20 X (10MS), 1.5 X (MIN)
CLIMATIC CATEGORY	25/100/21
TERMINALS (-T)	PINS (17.5 X 15 MM)
TYP. WEIGHT, LBS (KG)	0.4 (0.2)

TYPICAL LEAKAGE CURRENT

@ 250 VAC 50 Hz	0 - 0.8 mA Max.
@ 120 VAC 60 Hz	0 - 0.4 mA Max.

HIPOT RATINGS

LINE TO GROUND	2500 VDC (P/N-E)
----------------	------------------

TYPICAL APPLICATIONS

- ✓ Household Appliances
- ✓ Test & Measurement Equipment
- ✓ Electronic Devices
- ✓ Single-Phase Power Supplies

TG190

COMPACT SINGLE STAGE PCB MOUNT POWER LINE FILTER

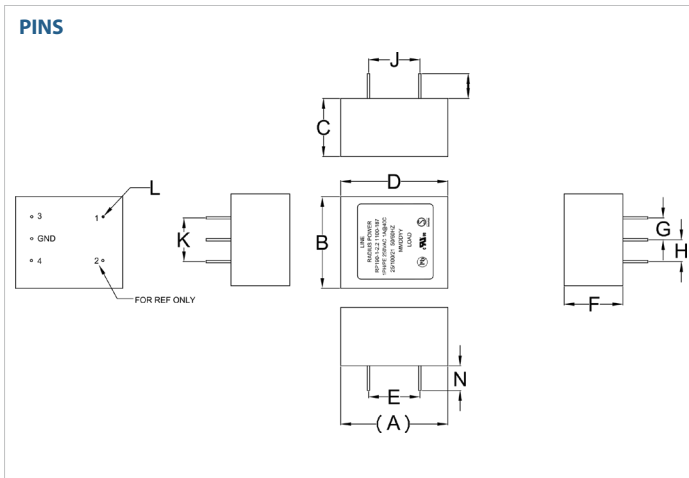
MODEL NO.	RATED CURRENT, A @ 40° C	Y-CAP, nF	LEAKAGE CURRENT, mA @ 250V AC, 50 Hz / @ 120V AC, 60 Hz		MOUNTIN OPTIONS	MAX. DIMENSIONS" (MM)		
					PINS (PCB MOUNT)	WIDTH	(LENGTH)	HEIGHT
TG190-1-0	1	0	-	-	✓	1.24" (31.5)	1.44" (36.5)	0.79" (20)
TG190-1-0.22	1	0.22	0.03	0.02	✓	1.24" (31.5)	1.44" (36.5)	0.79" (20)
TG190-1-0.47	1	0.47	0.07	0.04	✓	1.24" (31.5)	1.44" (36.5)	0.79" (20)
TG190-1-1	1	1	0.15	0.09	✓	1.24" (31.5)	1.44" (36.5)	0.79" (20)
TG190-1-2.2	1	2.2	0.34	0.19	✓	1.24" (31.5)	1.44" (36.5)	0.79" (20)
TG190-1-3.3	1	3.3	0.51	0.29	✓	1.24" (31.5)	1.44" (36.5)	0.79" (20)
TG190-1-4.7	1	4.7	0.73	0.42	✓	1.24" (31.5)	1.44" (36.5)	0.79" (20)
TG190-3-0	3	0	-	-	✓	1.24" (31.5)	1.44" (36.5)	0.79" (20)
TG190-3-0.22	3	0.22	0.03	0.02	✓	1.24" (31.5)	1.44" (36.5)	0.79" (20)
TG190-3-0.47	3	0.47	0.07	0.04	✓	1.24" (31.5)	1.44" (36.5)	0.79" (20)
TG190-3-1	3	1	0.15	0.09	✓	1.24" (31.5)	1.44" (36.5)	0.79" (20)
TG190-3-2.2	3	2.2	0.34	0.19	✓	1.24" (31.5)	1.44" (36.5)	0.79" (20)
TG190-3-3.3	3	3.3	0.51	0.29	✓	1.24" (31.5)	1.44" (36.5)	0.79" (20)
TG190-3-4.7	3	4.7	0.73	0.42	✓	1.24" (31.5)	1.44" (36.5)	0.79" (20)
TG190-6-0	6	0	-	-	✓	1.24" (31.5)	1.44" (36.5)	0.79" (20)
TG190-6-0.22	6	0.22	0.03	0.02	✓	1.24" (31.5)	1.44" (36.5)	0.79" (20)
TG190-6-0.47	6	0.47	0.07	0.04	✓	1.24" (31.5)	1.44" (36.5)	0.79" (20)
TG190-6-1	6	1	0.15	0.09	✓	1.24" (31.5)	1.44" (36.5)	0.79" (20)
TG190-6-2.2	6	2.2	0.34	0.19	✓	1.24" (31.5)	1.44" (36.5)	0.79" (20)
TG190-6-3.3	6	3.3	0.51	0.29	✓	1.24" (31.5)	1.44" (36.5)	0.79" (20)
TG190-6-4.7	6	4.7	0.73	0.42	✓	1.24" (31.5)	1.44" (36.5)	0.79" (20)
TG190-10-0	10	0	-	-	✓	1.24" (31.5)	1.44" (36.5)	0.79" (20)
TG190-10-0.22	10	0.22	0.03	0.02	✓	1.24" (31.5)	1.44" (36.5)	0.79" (20)
TG190-10-0.47	10	0.47	0.07	0.04	✓	1.24" (31.5)	1.44" (36.5)	0.79" (20)
TG190-10-1	10	1	0.15	0.09	✓	1.24" (31.5)	1.44" (36.5)	0.79" (20)
TG190-10-2.2	10	2.2	0.34	0.19	✓	1.24" (31.5)	1.44" (36.5)	0.79" (20)
TG190-10-3.3	10	3.3	0.51	0.29	✓	1.24" (31.5)	1.44" (36.5)	0.79" (20)
TG190-10-4.7	10	4.7	0.73	0.42	✓	1.24" (31.5)	1.44" (36.5)	0.79" (20)

*Contact factory for dimensions.

TG190

COMPACT SINGLE STAGE PCB MOUNT POWER LINE FILTER

TG190 MECHANICAL OUTLINES (MM)



SERIES	(A)	B	C	D	E	F	G	H	I	J	K	L	M	N
PINS	1.44" (36.5)	1.24" (31.5)	0.79" (20)	1.44" (36.5)	0.69" (17.5)	0.79" (20)	0.30" (7.5)	0.30" (7.5)	0.24" (6)	0.69" (17.5)	0.59" (15)	Ø0.8, 5X	N/A	0.24" (6)

TYPICAL TOLERANCE: +/-0.02" (0.50MM)

TYPICAL INSERTION LOSS, dB (50/50 Ohm)

Amps	Freq (MHz)	Insertion Loss (dB)				
		0.15	0.5	1.0	10	30
1	CM (dB)	46	55	55	55	40
	DM (dB)	10	24	50	50	44
3	CM (dB)	30	40	55	55	44
	DM (dB)	10	20	30	50	44
6	CM (dB)	22	35	45	55	46
	DM (dB)	10	20	26	50	44
10	CM (dB)	10	20	26	50	42
	DM (dB)	10	18	22	42	42