



# TG350

## 3-PHASE DELTA COMPACT SINGLE STAGE POWER LINE FILTER

MODEL NO.	RATED CURRENT, A @ 40° C	Y-CAP, nF	LEAKAGE CURRENT mA, @ 480V AC/60 Hz	TERMINAL OPTIONS			MAX. DIMENSIONS" (MM)		
				(W) INPUT/ OUTPUT	(S) INPUT/ OUTPUT	(C) INPUT/ OUTPUT	WIDTH	(LENGTH)	HEIGHT
TG350-20-0-S	20	0	-		✓		4.00"(102)	7.97"(202)	3.25"(83)
TG350-20-0-W	20	0	-	✓			*	*	*
TG350-20-10-S	20	10	0.10		✓		4.00"(102)	7.97"(202)	3.25"(83)
TG350-20-10-W	20	10	0.10	✓			*	*	*
TG350-20-100-S	20	100	1.00		✓		4.00"(102)	7.97"(202)	3.25"(83)
TG350-20-100-W	20	100	1.00	✓			*	*	*
TG350-20-1000-S	20	1000	10.00		✓		4.00"(102)	7.97"(202)	3.25"(83)
TG350-20-1000-W	20	1000	10.00	✓			*	*	*
TG350-20-2000-S	20	2000	20.00		✓		4.00"(102)	7.97"(202)	3.25"(83)
TG350-20-2000-W	20	2000	20.00	✓			*	*	*
TG350-40-0-C	40	0	-			✓	*	*	*
TG350-40-0-S	40	0	-		✓		4.00"(102)	7.97"(202)	3.25"(83)
TG350-40-0-W	40	0	-	✓			*	*	*
TG350-40-10-C	40	10	0.10			✓	*	*	*
TG350-40-10-S	40	10	0.10		✓		4.00"(102)	7.97"(202)	3.25"(83)
TG350-40-10-W	40	10	0.10	✓			*	*	*
TG350-40-100-C	40	100	1.00			✓	*	*	*
TG350-40-100-S	40	100	1.00		✓		4.00"(102)	7.97"(202)	3.25"(83)
TG350-40-100-W	40	100	1.00	✓			*	*	*
TG350-40-1000-C	40	1000	10.00			✓	*	*	*
TG350-40-1000-S	40	1000	10.00		✓		4.00"(102)	7.97"(202)	3.25"(83)
TG350-40-1000-W	40	1000	10.00	✓			*	*	*
TG350-40-2000-C	40	2000	20.00			✓	*	*	*
TG350-40-2000-S	40	2000	20.00		✓		4.00"(102)	7.97"(202)	3.25"(83)
TG350-40-2000-W	40	2000	20.00	✓			*	*	*
TG350-60-0-C	60	0	-			✓	*	*	*
TG350-60-0-S	60	0	-		✓		4.00"(102)	7.97"(202)	3.25"(83)
TG350-60-0-W	60	0	-	✓			*	*	*
TG350-60-10-C	60	10	0.10			✓	*	*	*
TG350-60-10-S	60	10	0.10		✓		4.00"(102)	7.97"(202)	3.25"(83)
TG350-60-10-W	60	10	0.10	✓			*	*	*
TG350-60-100-C	60	100	1.00			✓	*	*	*
TG350-60-100-S	60	100	1.00		✓		4.00"(102)	7.97"(202)	3.25"(83)
TG350-60-100-W	60	100	1.00	✓			*	*	*

## TG350

### 3-PHASE DELTA COMPACT SINGLE STAGE POWER LINE FILTER

MODEL NO.	RATED CURRENT, A @ 40° C	Y-CAP, nF	LEAKAGE CURRENT mA, @ 480V AC/60 Hz	TERMINAL OPTIONS			MAX. DIMENSIONS" (MM)		
				(W) INPUT/ OUTPUT	(S) INPUT/ OUTPUT	(C) INPUT/ OUTPUT	WIDTH	(LENGTH)	HEIGHT
TG350-60-1000-C	60	1000	10.00			✓	*	*	*
TG350-60-1000-S	60	1000	10.00		✓		4.00"(102)	7.97"(202)	3.25"(83)
TG350-60-1000-W	60	1000	10.00	✓			*	*	*
TG350-60-2000-C	60	2000	20.00			✓	*	*	*
TG350-60-2000-S	60	2000	20.00		✓		4.00"(102)	7.97"(202)	3.25"(83)
TG350-60-2000-W	60	2000	20.00	✓			*	*	*
TG350-80-0-C	80	0	-			✓	*	*	*
TG350-80-0-S	80	0	-		✓		4.00"(102)	8.36"(212)	3.25"(83)
TG350-80-0-W	80	0	-	✓			*	*	*
TG350-80-10-C	80	10	0.10			✓	*	*	*
TG350-80-10-S	80	10	0.10		✓		4.00"(102)	8.36"(212)	3.25"(83)
TG350-80-10-W	80	10	0.10	✓			*	*	*
TG350-80-100-C	80	100	1.00			✓	*	*	*
TG350-80-100-S	80	100	1.00		✓		4.00"(102)	8.36"(212)	3.25"(83)
TG350-80-100-W	80	100	1.00	✓			*	*	*
TG350-80-1000-C	80	1000	10.00			✓	*	*	*
TG350-80-1000-S	80	1000	10.00		✓		4.00"(102)	8.36"(212)	3.25"(83)
TG350-80-1000-W	80	1000	10.00	✓			*	*	*
TG350-80-2000-C	80	2000	20.00			✓	*	*	*
TG350-80-2000-S	80	2000	20.00		✓		4.00"(102)	8.36"(212)	3.25"(83)
TG350-80-2000-W	80	2000	20.00	✓			*	*	*
TG350-100-0-C	100	0	-			✓	*	*	*
TG350-100-0-S	100	0	-		✓		4.00"(102)	9.03"(229)	3.25"(83)
TG350-100-0-W	100	0	-	✓			*	*	*
TG350-100-10-C	100	10	0.10			✓	*	*	*
TG350-100-10-S	100	10	0.10		✓		4.00"(102)	9.03"(229)	3.25"(83)
TG350-100-10-W	100	10	0.10	✓			*	*	*
TG350-100-100-C	100	100	1.00			✓	*	*	*
TG350-100-100-S	100	100	1.00		✓		4.00"(102)	9.03"(229)	3.25"(83)
TG350-100-100-W	100	100	1.00	✓			*	*	*
TG350-100-1000-C	100	1000	10.00			✓	*	*	*
TG350-100-1000-S	100	1000	10.00		✓		4.00"(102)	9.03"(229)	3.25"(83)
TG350-100-1000-W	100	1000	10.00	✓			*	*	*
TG350-100-2000-C	100	2000	20.00			✓	*	*	*

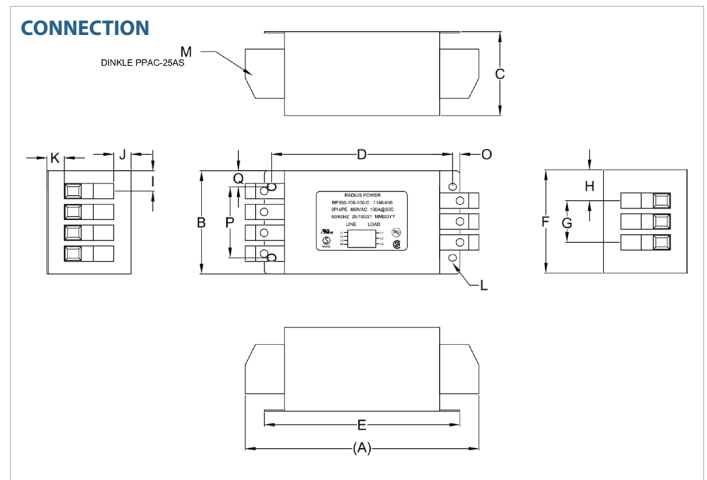
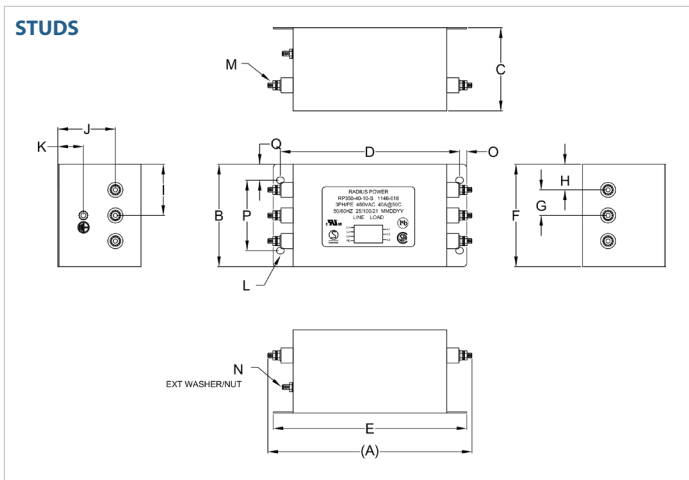
## TG350

### 3-PHASE **DELTA** COMPACT SINGLE STAGE POWER LINE FILTER

MODEL NO.	RATED CURRENT, A @ 40° C	Y-CAP, nF	LEAKAGE CURRENT mA, @ 480V AC/60 Hz	TERMINAL OPTIONS			MAX. DIMENSIONS" (MM)		
				(W) INPUT/OUTPUT	(S) INPUT/OUTPUT	(C) INPUT/OUTPUT	WIDTH	(LENGTH)	HEIGHT
TG350-100-2000-S	100	2000	20.00		✓		4.00"(102)	9.03"(229)	3.25"(83)
TG350-100-2000-W	100	2000	20.00	✓			*	*	*

\*Contact factory for dimensions.

### TG350 MECHANICAL OUTLINES (MM)



SERIES	(A)	B	C	D	E	F	G	H	I	J	K	L	M	N	O	P	Q
<b>STUDS (20/40/60A)</b>	7.97" (202)	4.00" (102)	3.25" (83)	7.00" (178)	7.56" (192)	4.00" (102)	1.00" (25)	1.00" (25)	2.00" (51)	2.25" (57)	1.00" (25)	Ø 0.25" 6.4x7.6, 4x	STUD M5, 6x	STUD GND M5	0.28" (7)	2.75" (70)	0.63" (16)
<b>STUDS (80A)</b>	8.36" (212)	4.00" (102)	3.25" (83)	7.00" (178)	7.56" (192)	4.00" (102)	1.00" (25)	1.00" (25)	2.00" (51)	2.25" (57)	1.00" (25)	Ø 0.29" 7.6x6.4, 4x	STUD, M6, 6x	STUD, GND, M6	0.28" (7)	2.75" (70)	0.63" (16)
<b>STUDS (100A)</b>	9.03" (229)	4.00" (102)	3.25" (83)	7.00" (178)	7.56" (192)	4.00" (102)	1.61" (41)	1.19" (30)	0.79" (20)	0.67" (17)	0.67" (17)	Ø 0.29" 7.6x6.4, 4x	CONNECTOR, 7x	N/A	0.28" (7)	2.75" (70)	0.63" (16)

TYPICAL TOLERANCE: +/-0.02" (0.50MM)

## TG350

### 3-PHASE **DELTA** COMPACT SINGLE STAGE POWER LINE FILTER

#### TYPICAL INSERTION LOSS, dB (50/50 Ohm)

Amps	Freq (MHz)	0.15	0.5	1.0	10	30
20	CM (dB)	60	70	65	60	40
	DM (dB)	55	70	70	70	60
40	CM (dB)	45	55	55	50	40
	DM (dB)	46	65	70	70	60
60	CM (dB)	42	52	55	50	40
	DM (dB)	40	60	65	65	60
80	CM (dB)	36	50	50	48	40
	DM (dB)	36	55	55	58	50
100	CM (dB)	30	48	50	46	35
	DM (dB)	30	50	50	45	45