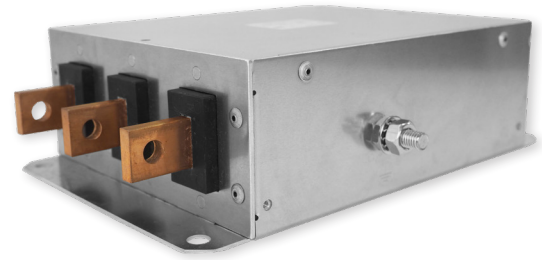


TG370

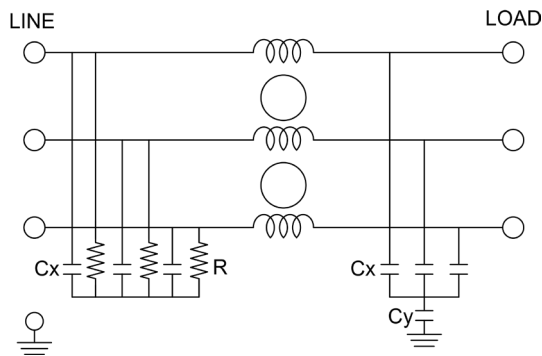
3-PHASE **DELTA** COMPACT EMI POWER LINE FILTER

FEATURES

- » Rated currents include **250A, 320A, 400A, 600A, 800A, and 1000A**
- » Single Stage Line Filter
- » Available with **(B)** Bus Bars
- » Compact Design
- » Agency Approved to UL1283 / 60929, CSA C22.2, EN 60939
- » Y-cap value can be adjusted to fit specification

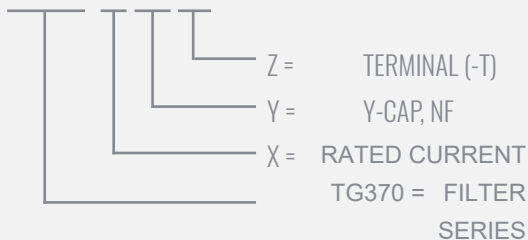


ELECTRICAL SCHEMATIC



HOW TO ORDER

TG370- X - Y - Z



SPECIFICATIONS

OPERATING FREQUENCY	50/60Hz
USABLE FREQUENCY	DC - 400 Hz
MAX. OPERATING VOLTAGE	480 V +10%
AMBIENT TEMPERATURE	-25 TO 50°C
CLIMATIC CATEGORY	25/100/21
TERMINALS (-T)	BUS BARS 250A(3X20) 320-400A(6X25) 600A(8X25) 800-1000A(8X40)

TYP. WEIGHT, LBS (KG) 12.0-30.0 (5.4-13.6))

TYPICAL LEAKAGE CURRENT

@ 480 VAC 60 Hz 0 - 20.0 mA Max.

HIPOT RATINGS

LINE TO GROUND 3500 VDC

TYPICAL APPLICATIONS

- ✓ Processing equipment
- ✓ Induction heating
- ✓ Arc welding and resistance welding
- ✓ Laser cutting & plasma cutting
- ✓ Alternative energy (EV charging & solar)

TG370

3-PHASE DELTA COMPACT EMI POWER LINE FILTER

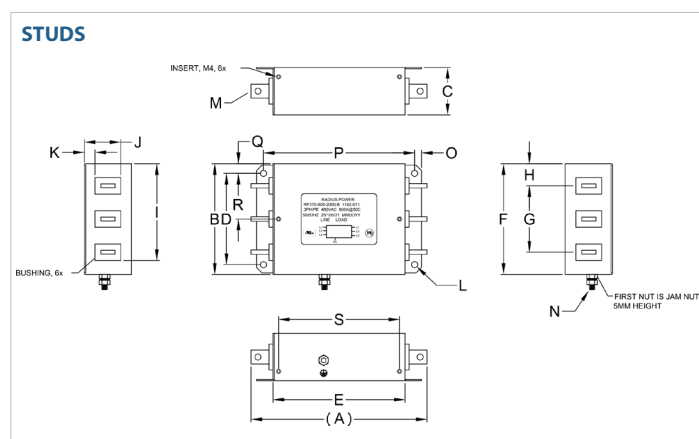
MODEL NO.	RATED CURRENT, A @ 40° C	Y-CAP, nF	LEAKAGE CURRENT mA, @ 480V AC/60 Hz	TERMINAL OPTIONS	MAX. DIMENSIONS" (MM)		
				(B) INPUT/OUTPUT	WIDTH	(LENGTH)	HEIGHT
TG370-250-0-B	250	0	-	✓	7.68"(195)	12.60"(320)	3.39"(86)
TG370-250-10-B	250	10	0.10	✓	7.68"(195)	12.60"(320)	3.39"(86)
TG370-250-100-B	250	100	1.00	✓	7.68"(195)	12.60"(320)	3.39"(86)
TG370-250-1000-B	250	1000	10.00	✓	7.68"(195)	12.60"(320)	3.39"(86)
TG370-250-2000-B	250	2000	20.00	✓	7.68"(195)	12.60"(320)	3.39"(86)
TG370-320-0-B	320	0	-	✓	7.68"(195)	12.60"(320)	3.39"(86)
TG370-320-10-B	320	10	0.10	✓	7.68"(195)	12.60"(320)	3.39"(86)
TG370-320-100-B	320	100	1.00	✓	7.68"(195)	12.60"(320)	3.39"(86)
TG370-320-1000-B	320	1000	10.00	✓	7.68"(195)	12.60"(320)	3.39"(86)
TG370-320-2000-B	320	2000	20.00	✓	7.68"(195)	12.60"(320)	3.39"(86)
TG370-400-0-B	400	0	-	✓	7.68"(195)	12.60"(320)	3.39"(86)
TG370-400-10-B	400	10	0.10	✓	7.68"(195)	12.60"(320)	3.39"(86)
TG370-400-100-B	400	100	1.00	✓	7.68"(195)	12.60"(320)	3.39"(86)
TG370-400-1000-B	400	1000	10.00	✓	7.68"(195)	12.60"(320)	3.39"(86)
TG370-400-2000-B	400	2000	20.00	✓	7.68"(195)	12.60"(320)	3.39"(86)
TG370-600-0-B	600	0	-	✓	7.68"(195)	12.60"(320)	3.39"(86)
TG370-600-10-B	600	10	0.10	✓	7.68"(195)	12.60"(320)	3.39"(86)
TG370-600-100-B	600	100	1.00	✓	7.68"(195)	12.60"(320)	3.39"(86)
TG370-600-1000-B	600	1000	10.00	✓	7.68"(195)	12.60"(320)	3.39"(86)
TG370-600-2000-B	600	2000	20.00	✓	7.68"(195)	12.60"(320)	3.39"(86)
TG370-800-0-B	800	0	-	✓	7.28"(185)	16.50"(419)	4.92"(125)
TG370-800-10-B	800	10	0.10	✓	7.28"(185)	16.50"(419)	4.92"(125)
TG370-800-100-B	800	100	1.00	✓	7.28"(185)	16.50"(419)	4.92"(125)
TG370-800-1000-B	800	1000	10.00	✓	7.28"(185)	16.50"(419)	4.92"(125)
TG370-800-2000-B	800	2000	20.00	✓	7.28"(185)	16.50"(419)	4.92"(125)
TG370-1000-0-B	1000	0	-	✓	7.28"(185)	16.50"(419)	4.92"(125)
TG370-1000-10-B	1000	10	0.10	✓	7.28"(185)	16.50"(419)	4.92"(125)
TG370-1000-100-B	1000	100	1.00	✓	7.28"(185)	16.50"(419)	4.92"(125)
TG370-1000-1000-B	1000	1000	10.00	✓	7.28"(185)	16.50"(419)	4.92"(125)
TG370-1000-2000-B	1000	2000	20.00	✓	7.28"(185)	16.50"(419)	4.92"(125)

*Contact factory for dimensions.

TG370

3-PHASE **DELTA** COMPACT EMI POWER LINE FILTER

TG370 MECHANICAL OUTLINES (MM)



SERIES	(A)	B	C	D	E	F	G	H	I	J	K	L	M	N	O	P	Q		
STUDS (250/320/ 400/600A)	12.60" (320)	7.68" (195)	3.39" (86)	6.50" (165)	9.45" (240)	7.87" (200)	4.72" (120)	1.57" (40)	6.89" (175)	2.62" (67)	0.77" (20)	Ø0.43, 4x Ø11.0, 4X	8x25MM, 3x, BUS BAR	STUD, GND, M10	0.49" (13)	10.83" (275)	0.69" (18)	3.94" (100)	8.66" (220)
STUDS (800/1000A)	16.50" (419)	7.28" (185)	4.92" (125)	6.10" (155)	12.20" (310)	7.48" (190)	4.72" (120)	1.38" (35)	6.69" (170)	3.39" (86)	0.94" (24)	Ø0.55, 4x Ø14.0, 6X	8x40MM, 3x, BUS BAR	STUD, GND, M10	0.49" (13)	13.58" (345)	0.59" (15)	N/A	N/A

TYPICAL TOLERANCE: +/-0.02" (0.50MM)

TYPICAL INSERTION LOSS, dB (50/50 Ohm)

Amps	Freq (MHz)	Insertion Loss (dB)					
		0.15	0.5	1.0	10	30	
250	CM (dB)	66	66	66	40	24	
	DM (dB)	40	60	45	30	28	
320	CM (dB)	66	66	66	40	24	
	DM (dB)	40	60	45	30	28	
400	CM (dB)	66	66	66	40	24	
	DM (dB)	40	60	45	30	28	
600	CM (dB)	66	66	66	40	24	
	DM (dB)	40	60	45	30	28	
800	CM (dB)	66	66	66	40	24	
	DM (dB)	40	60	45	30	28	
1000	CM (dB)	66	66	66	40	24	
	DM (dB)	40	60	45	30	28	