

TG500

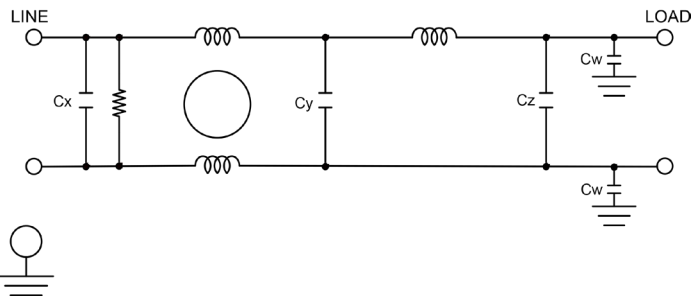
EMI/HARMONICS DUAL STAGE POWER LINE FILTER

FEATURES

- » **Rated currents** include **10A**
- » Dual Stage Line Filter
- » Available with **QD** (tabs) and **W** (wires) option
- » Agency Approved to UL1283 / 60929, CSA C22.2, EN 60939
- » Y-cap value can be adjusted to fit specification



ELECTRICAL SCHEMATIC



SPECIFICATIONS

OPERATING FREQUENCY	50/60Hz
USABLE FREQUENCY	DC - 400 Hz
MAX. OPERATING VOLTAGE	250V +10%
AMBIENT TEMPERATURE	-25 TO 40°C
CLIMATIC CATEGORY	25/100/21
TERMINALS (-T)	QD: 0.25" TABS
	WIRE LEADS
TYP. WEIGHT, LBS (KG)	3.1 (1.4)

TYPICAL LEAKAGE CURRENT

@ 120 VAC 60 Hz	0 - 0.9 mA Max.
@ 250 VAC 50 Hz	0 - 1.8 mA Max.

HIPOT RATINGS

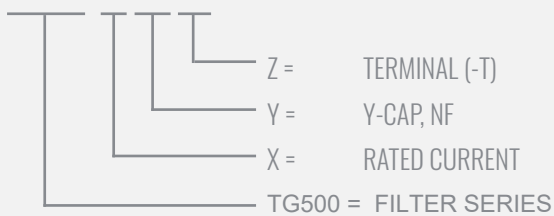
LINE TO GROUND	2700 VDC
----------------	----------

TYPICAL APPLICATIONS

- ✓ Large home appliances
- ✓ Exercising equipment

HOW TO ORDER

TG500- X - Y - Z



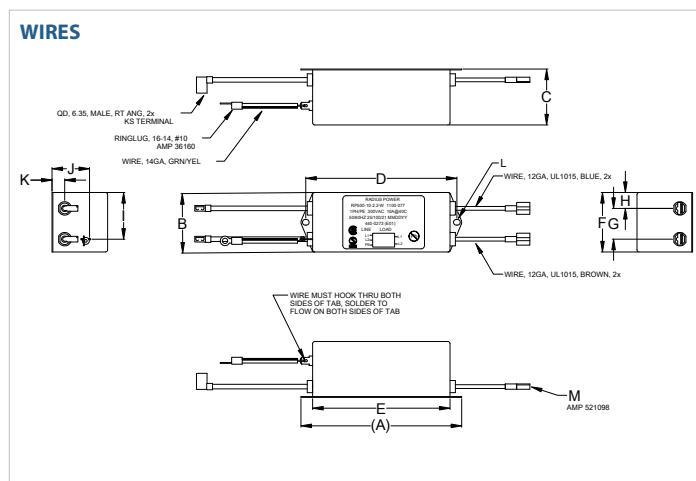
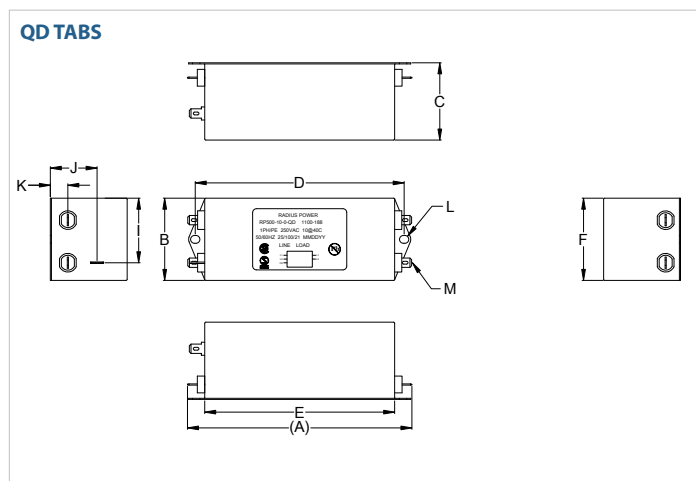
TG500

EMI/HARMONICS DUAL STAGE POWER LINE FILTER

MODEL NO.	RATED CURRENT, A @ 40° C	Y-CAP, nF	LEAKAGE CURRENT, mA @ 250V AC, 50 Hz / @ 120V AC, 60 Hz		TERMINAL OPTIONS		MAX. DIMENSIONS" (MM)		
					(QD) INPUT/ OUTPUT	(W) INPUT/ OUTPUT	WIDTH	(LENGTH)	HEIGHT
TG500-10-0-Q D	10	0	-	-	✓		2.20"(56)	6.05"(154)	2.07"(52.6)
TG500-10-0-W	10	0	-	-		✓	2.20"(56)	5.99"(152)	2.07"(52.6)
TG500-10-.47-Q D	10	0.47	0.08	0.04	✓		2.20"(56)	6.05"(154)	2.07"(52.6)
TG500-10-.47-W	10	0.47	0.08	0.04		✓	2.20"(56)	5.99"(152)	2.07"(52.6)
TG500-10-1-Q D	10	1	0.18	0.09	✓		2.20"(56)	6.05"(154)	2.07"(52.6)
TG500-10-1-W	10	1	0.18	0.09		✓	2.20"(56)	5.99"(152)	2.07"(52.6)
TG500-10-2.2-Q D	10	2.2	0.40	0.20	✓		2.20"(56)	6.05"(154)	2.07"(52.6)
TG500-10-2.2-W	10	2.2	0.40	0.20		✓	2.20"(56)	5.99"(152)	2.07"(52.6)
TG500-10-4.7-Q D	10	4.7	0.08	0.04	✓		2.20"(56)	6.05"(154)	2.07"(52.6)
TG500-10-4.7-W	10	4.7	0.08	0.04		✓	2.20"(56)	5.99"(152)	2.07"(52.6)
TG500-10-10-Q D	10	10	1.80	0.90	✓		2.20"(56)	6.05"(154)	2.07"(52.6)
TG500-10-10-W	10	10	1.80	0.90		✓	2.20"(56)	5.99"(152)	2.07"(52.6)

*Contact factory for dimensions.

TG500 MECHANICAL OUTLINES (MM)



SERIES	(A)	B	C	D	E	F	G	H	I	J	K	L	M
QD TABS	6.05" (154)	2.20" (56)	2.07" (52.6)	5.63" (143)	5.12" (130)	2.2" (56)	1.73" (44)	1.26" (32)	1.73" (44)	1.26" (32)	0.47" (12)	Ø 0.25x0.20, 2x (Ø, 6.4x5.3, 2x)	0.25", 5x (QD, MALE, 6.35, 5x)
WIRES	5.99" (152)	2.20" (56)	2.07" (52.6)	5.63" (143)	5.12" (130)	2.2" (56)	1.14" (29)	0.59" (15)	1.73" (44)	1.40" (36)	0.47" (12)	Ø 0.25x0.20, 2x (Ø, 6.4x5.3, 2x)	0.25", 2x (QD, MALE, 6.35, 2x)

TYPICAL TOLERANCE: +/-0.02" (0.50MM)

TG500

EMI/HARMONICS DUAL STAGE POWER LINE FILTER

TYPICAL INSERTION LOSS, dB (50/50 Ohm)

Amps	Freq (MHz)	0.15	0.5	1.0	10	30
10	CM (dB)	24	46	50	60	60
	DM (dB)	25	40	60	65	65