

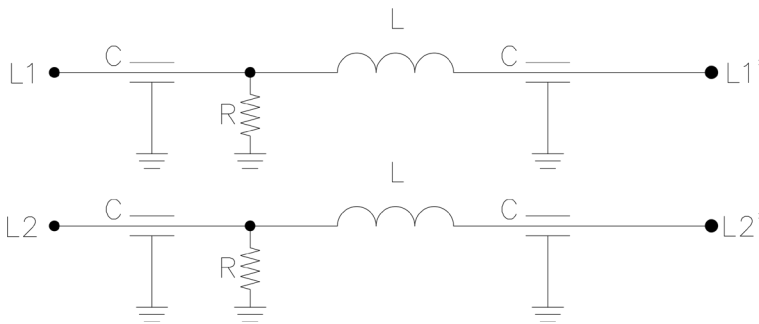
TG58/TG58E

TELEPHONE LINE, DATA LINE, ALARM LINE AND CONTROL LINE FILTERS

FEATURES

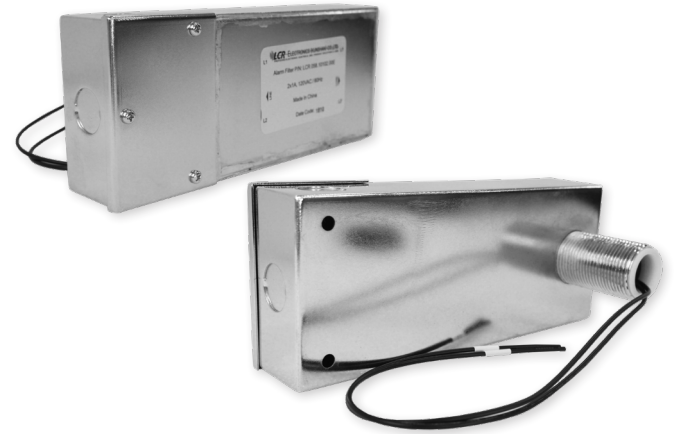
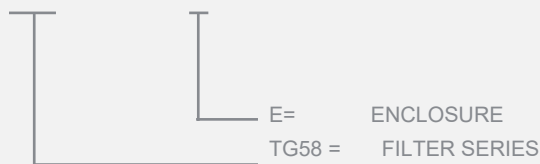
- » **Rated currents** include **0.5 - 5 A @ 50°C**
- » Available with **screw** option
- » High performance
- » Plated Steel Case
- » IP Class IP65
- » Designed for communication telephone line and control line

ELECTRICAL SCHEMATIC



HOW TO ORDER

TG58.10101-E



SPECIFICATIONS

OPERATING FREQUENCY	SEE SPECIFICATION TABLE
MAX. OPERATING VOLTAGE	600 VDC/300 VAC
OPERATING TEMPERATURE	FROM -40 TO 85°C
CLIMATIC CATEGORY	25/85/21
TERMINALS (-T)	SCREWS(M4*0.7X10)
<hr/>	
TYP. WEIGHT, LBS (KG)	3.94 (1.78)

HIPOT RATINGS

LINE TO GROUND	1000 VDC MAX, 2 SEC
----------------	---------------------

TYPICAL APPLICATIONS

- ✓ MRI rooms
- ✓ Shielded rooms
- ✓ Communication Cabins
- ✓ Information security applications

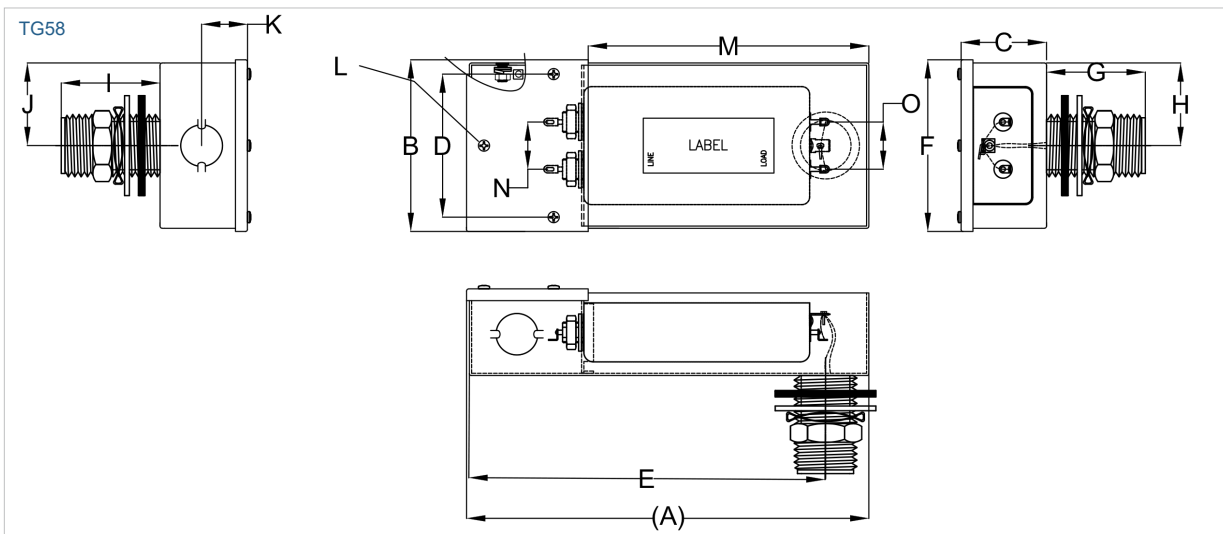
TG58/TG58E

TELEPHONE LINE, DATA LINE, ALARM LINE AND CONTROL LINE FILTERS

MODEL NO.	APPLICATION	RATED VOLTAGE (VAC)	SYSTEM IMPEDANCE		INSERTION LOSS		MAX. DIMENSIONS" (MM)		
			BALANCED L-L (OHM)	UNBALANCED L-G (OHM)	PASS BAND (3DB MAX.)	STOP BAND (100DB MIN.)	WIDTH	(LENGTH)	HEIGHT
TG58.00001-E	Telephone Filter	2X0.5	600	300	0-6 KHz	20 KHz-10 GHz	3.64"(92)	8.46"(215)	1.80"(46)
TG58.10001-E	Data Filter	2X0.5	-	-	0-23 KHz	150 MHz-1 GHz	3.64"(92)	8.46"(215)	1.80"(46)
TG58.10101	Control Line Filter	2X1	*	*	*	14 KHz-10 GHz	3.64"(92)	8.46"(215)	1.80"(46)
TG58.10101-E	Control Line Filter	2X1	*	*	*	14 KHz-10 GHz	3.64"(92)	8.46"(215)	1.80"(46)
TG58.10102	Alarm Filter	2X1	*	*	*	14 KHz-1 GHz	3.64"(92)	8.46"(215)	1.80"(46)
TG58.10102-E	Alarm Filter	2X1	*	*	*	14 KHz-1 GHz	3.64"(92)	8.46"(215)	1.80"(46)

*Contact factory for additional information.

TG58/TG58E MECHANICAL OUTLINES" (MM)



SERIES	(A)	B	C	D	E	F	G	H	I	J	K	L	M	N	O
TG58/TG58E	8.46" (215)	3.64" (92)	1.80" (46)	3.03" (77)	7.49" (190)	3.64" (92)	2.08" (53)	1.75" (45)	2.08" (53)	1.75" (45)	1.00" (25)	M4*0.7x10 screw	5.91" (150)	1.00" (25)	1.00" (25)

TYPICAL TOLERANCE: +/- 0.02" (0.50MM)