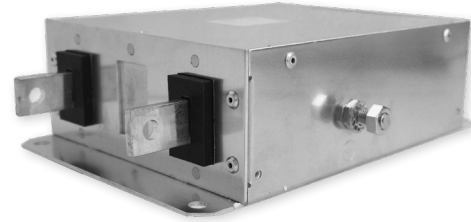


TG680

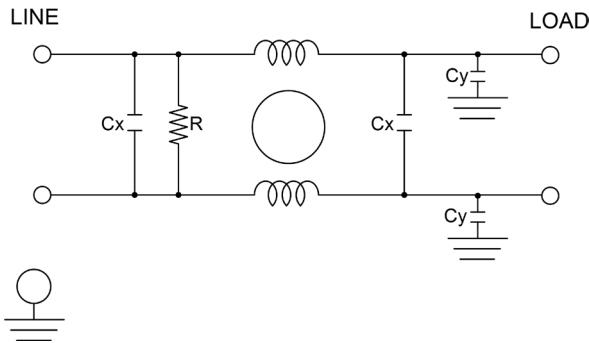
COMPACT HIGH CURRENT **DC** EMI POWER LINE FILTER, 600V

FEATURES

- » Rated currents include **250A, 320A, 400A, 600A, 800A and 1000A**
- » Single Stage Line Filter
- » Available with **B** (Bus Bars)
- » Compact and High Current Design
- » Agency Approved to UL1283 / 60929, CSA C22.2, EN 60939
- » Y-cap value can be adjusted to fit specification



ELECTRICAL SCHEMATIC



SPECIFICATIONS

MAX. OPERATING VOLTAGE	250V +10%
AMBIENT TEMPERATURE	-25 TO 55°C
CLIMATIC CATEGORY	25/100/21
TERMINALS (-T)	BUS BARS 250A (3X20), 320-400A(6X25), 600A(8X25), 800-1000A(8X40)
TYP. WEIGHT, LBS (KG)	20.0-25.0 (9.07-11.3)

HIPOT RATINGS

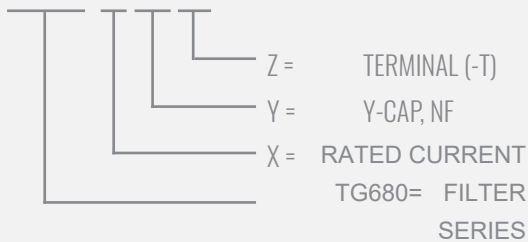
LINE TO GROUND	3500 VDC
-----------------------	----------

TYPICAL APPLICATIONS

- ✓ High power rectifiers
- ✓ Uninterrupted power supplies
- ✓ Inverters
- ✓ VDF & PWM
- ✓ DC fast chargers
- ✓ Induction charging
- ✓ Industrial chargers
- ✓ Solar

HOW TO ORDER

TG680- X - Y - Z



TG680

COMPACT HIGH CURRENT **DC** EMI POWER LINE FILTER, 600V

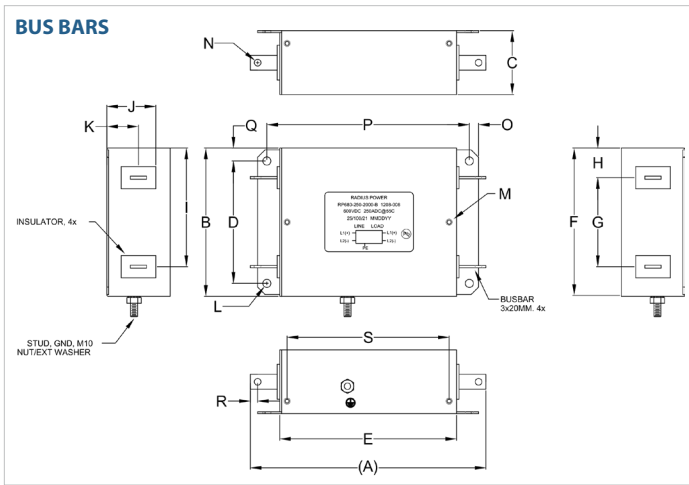
MODEL NO.	RATED CURRENT, A @ 40° C	Y-CAP, nF	TERMINAL OPTIONS				MAX. DIMENSIONS" (MM)		
			(B) INPUT/ OUTPUT 3X20	(B) INPUT/ OUTPUT 6X25	(B) INPUT/ OUTPUT 8X25	(B) INPUT/ OUTPUT 8X40	WIDTH	(LENGTH)	HEIGHT
TG680-250-100-B	250	100	✓				7.87"(200)	12.60"(320)	3.39"(86)
TG680-250-1000-B	250	1000	✓				7.87"(200)	12.60"(320)	3.39"(86)
TG680-250-2000-B	250	2000	✓				7.87"(200)	12.60"(320)	3.39"(86)
TG680-320-100-B	320	100		✓			7.87"(200)	12.60"(320)	3.39"(86)
TG680-320-1000-B	320	1000		✓			7.87"(200)	12.60"(320)	3.39"(86)
TG680-320-2000-B	320	2000		✓			7.87"(200)	12.60"(320)	3.39"(86)
TG680-400-100-B	400	100		✓			7.87"(200)	12.60"(320)	3.39"(86)
TG680-400-1000-B	400	1000		✓			7.87"(200)	12.60"(320)	3.39"(86)
TG680-400-2000-B	400	2000		✓			7.87"(200)	12.60"(320)	3.39"(86)
TG680-600-100-B	600	100			✓		7.87"(200)	12.60"(320)	3.39"(86)
TG680-600-1000-B	600	1000			✓		7.87"(200)	12.60"(320)	3.39"(86)
TG680-600-2000-B	600	2000			✓		7.87"(200)	12.60"(320)	3.39"(86)
TG680-800-100-B	800	100				✓	7.87"(200)	12.60"(320)	3.39"(86)
TG680-800-1000-B	800	1000				✓	7.87"(200)	12.60"(320)	3.39"(86)
TG680-800-2000-B	800	2000				✓	7.87"(200)	12.60"(320)	3.39"(86)
TG680-1000-100-B	1000	100				✓	7.87"(200)	12.60"(320)	3.39"(86)
TG680-1000-1000-B	1000	1000				✓	7.87"(200)	12.60"(320)	3.39"(86)
TG680-1000-2000-B	1000	2000				✓	7.87"(200)	12.60"(320)	3.39"(86)

*Contact factory for dimensions.

TG680

COMPACT HIGH CURRENT **DC** EMI POWER LINE FILTER, 600V

TG680 MECHANICAL OUTLINES (MM)



SERIES	(A)	B	C	D	E	F	G	H	I	J	K	L	M	N	O	P	Q	R	S
BUS BARS	12.60" (320)	7.87" (200)	3.39" (86)	6.50" (165)	9.45" (240)	7.82" (199)	4.72" (120)	1.57" (40)	6.30" (160)	2.62" (67)	1.69" (43)	Ø0.43", 4x (Ø11.00, 4x)	Ø0.35" Ø9.00	INSERT, M4, 6x	0.49" (13)	10.83" (275)	0.69" (18)	0.39" (10)	8.66" (220)

TYPICAL TOLERANCE: +/-0.02" (0.50MM)

TYPICAL INSERTION LOSS, dB (50/50 Ohm)

Amps	Freq (MHz)	Insertion Loss (dB)				
		0.15	0.5	1.0	10	30
250	CM (dB)	66	66	66	40	24
	DM (dB)	40	60	45	30	28
320	CM (dB)	66	66	66	40	24
	DM (dB)	40	60	45	30	28
400	CM (dB)	66	66	66	40	24
	DM (dB)	40	60	45	30	28
600	CM (dB)	66	66	66	40	24
	DM (dB)	40	60	45	30	28
800	CM (dB)	66	66	66	40	24
	DM (dB)	40	60	45	30	28
1000	CM (dB)	66	66	66	40	24
	DM (dB)	40	60	45	30	28