

TGD2L

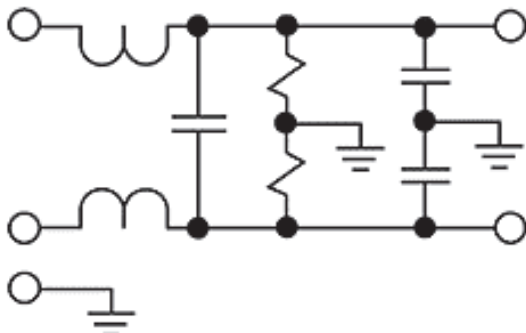
HIGH PERFORMANCE SEVERE ENVIRONMENT DC POWER FILTER

FEATURES

- » Rated currents include **1A, 2A, 5A, 10A, 20A, 40A, 75A and 100A**
- » Multi-Stage Line Filter
- » Subject to MIL STD 461 conducted emissions
- » Available with **QD** (tabs) and **S** (studs) option
- » Low Profile Case & Flange Mount Available
- » High Performance Design
- » Y-cap value can be adjusted to fit specification



ELECTRICAL SCHEMATIC



SPECIFICATIONS

MAX. OPERATING VOLTAGE 60VDC +10%
TERMINALS (-T) QD: 0.25 TABS
 STUDS: 8-32 (5-20A),
 10-32(40A)

TYP. WEIGHT, LBS (KG) 0.6 - 11.75 (0.27 - 5.35)

LEAKAGE CURRENT
@ 250 VAC 60 HZ Contact Factory

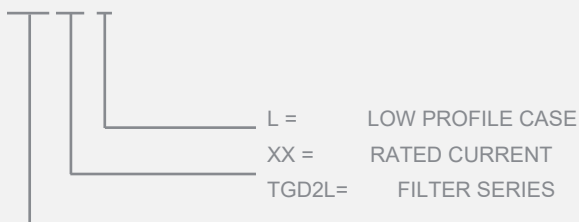
HIPOT RATINGS
LINE TO GROUND 150 VDC - 200 VDC

TYPICAL APPLICATIONS

- ✓ Grounded return systems
- ✓ Mobile system
- ✓ MIL ground vehicles

HOW TO ORDER

TGD2LXX L



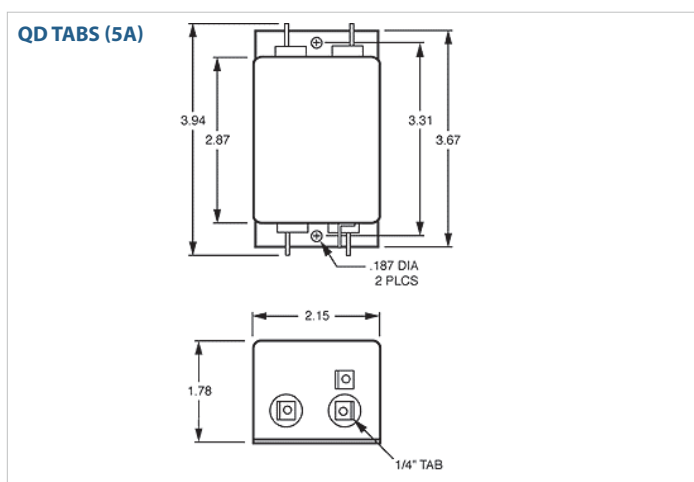
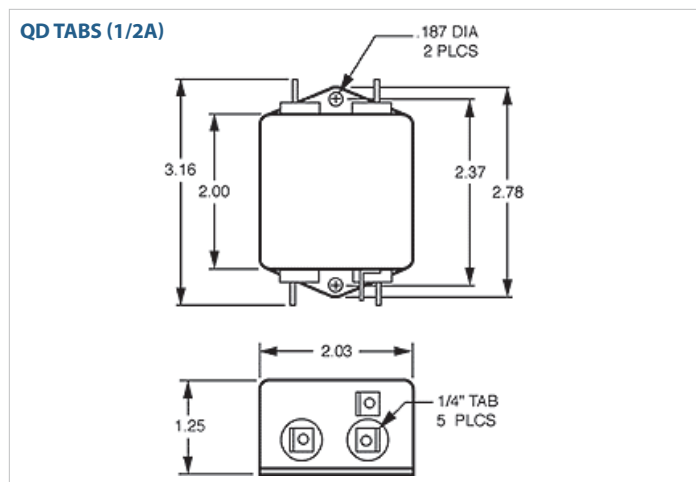
TGD2L

HIGH PERFORMANCE SEVERE ENVIRONMENT DC POWER FILTER

MODEL NO.	RATED CURRENT (A) @ 40° C	Y-CAP, nF	LEAKAGE CURRENT, mA @ 250V AC, 60 Hz	TERMINAL OPTIONS			MAX. DIMENSIONS" (MM)		
				(QD)INPUT/OUTPUT	(S) INPUT/OUTPUT	(C) INPUT/OUTPUT	WIDTH	(LENGTH)	HEIGHT
TGD 2L1	1	*	*	✓			2.03"	3.2"	1.25"
TGD 2L2	2	2x.0047μF/2x1μF	*	✓			2.03"	3.2"	1.25"
TGD 2L5	5	2x.0047μF/2x2.2μF	*	✓			2.15"	4.07"	1.78"
TGD 2L5 S	5	2x.0047μF/2x2μF	*		✓		2.15"	4.13"	1.78"
TGD 2L10	10	*	*	✓			2"	4.95"	2"
TGD 2L10 F	10	2x.0047μF/2x4μF	*	✓			2"	4.95"	2"
TGD 2L10 FS	10	2x.0047μF/2x4.7μF	*		✓		2"	5.01"	2"
TGD 2L10 S	10	*	*		✓		2"	4.95"	2"
TGD 2L20	20	*	*		✓		3"	5.51"	2.75"
TGD 2L20 F	20	2x.0047μF/2x8μF	*		✓		3"	5.51"	2.75"
TGD 2L40	40	*	*		✓		4"	6.62"	4"
TGD 2L40 F	40	2x.0047μF/2x8μF	*		✓		4"	6.62"	4"
TGD 2L40 L	40	*	*		✓		4"	6.62"	4"
TGD 2L75	75	*	*		✓		5"	9.96"	4.75"
TGD 2L100	100	*	*		✓		5"	9.96"	4.75"

*Contact factory for part data.

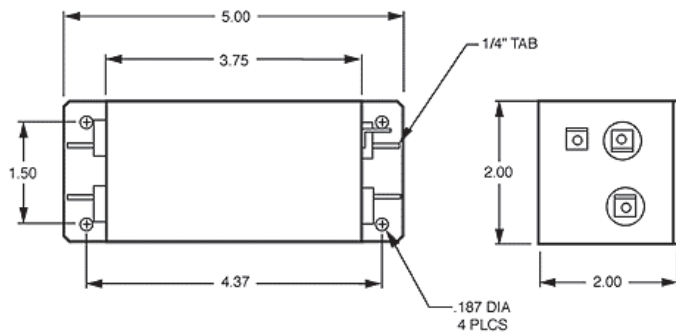
TGD2L MECHANICAL OUTLINES (MM)



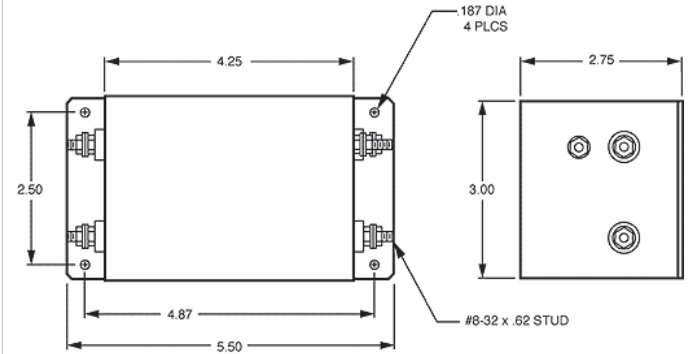
TGD2L

HIGH PERFORMANCE SEVERE ENVIRONMENT DC POWER FILTER

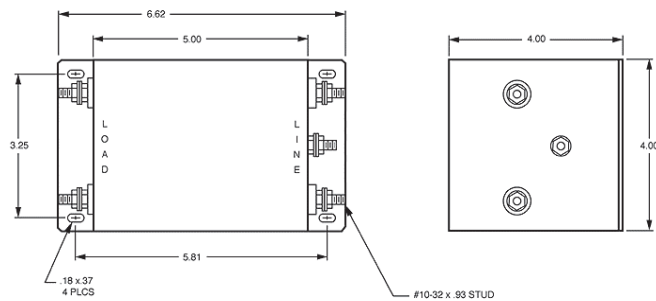
QD TABS (10A)



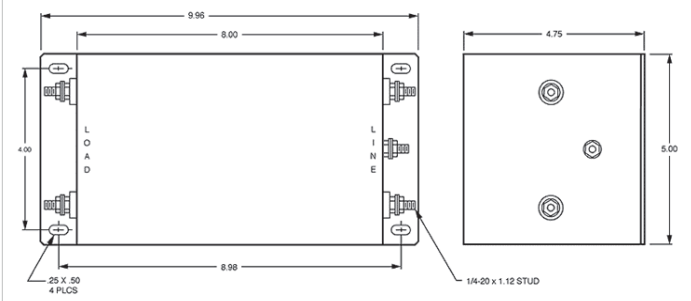
STUDS (20A)



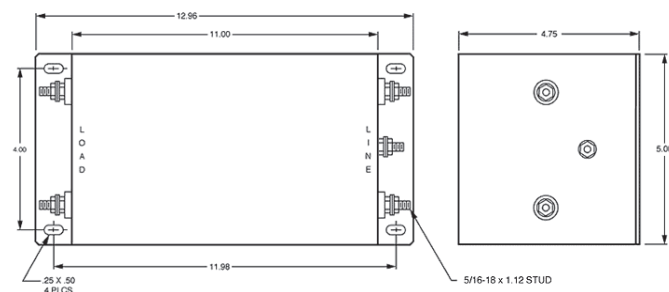
STUDS (40A)



STUDS (75A)



STUDS (100A)



TYPICAL TOLERANCE: +/-0.02" (0.50MM)

TGD2L

HIGH PERFORMANCE SEVERE ENVIRONMENT DC POWER FILTER

TYPICAL INSERTION LOSS, dB (50/50 Ohm)

Amps	Freq (MHz)	0.15	0.5	1.0	10	30
1	CM (dB)	55	60	54	62	67
	DM (dB)	55	60	51	58	62
2	CM (dB)	50	60	54	62	67
	DM (dB)	45	60	51	58	62
5	CM (dB)	50	60	54	62	67
	DM (dB)	45	60	51	58	62
10	CM (dB)	55	60	54	62	67
	DM (dB)	55	60	51	58	62
20	CM (dB)	55	60	54	62	67
	DM (dB)	55	60	51	58	62
40	CM (dB)	55	60	54	62	67
	DM (dB)	55	60	51	58	62
75	CM (dB)	55	60	54	62	67
	DM (dB)	55	60	51	58	62
100	CM (dB)	55	60	54	62	67
	DM (dB)	55	60	51	58	62