

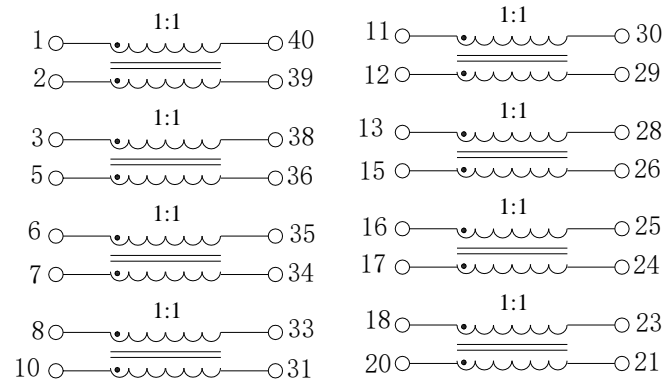
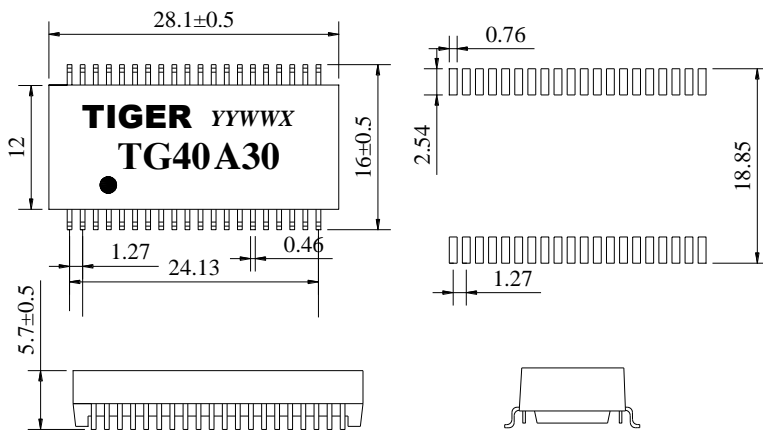
Designed to meet IR 255°C peak requirement
 ROHS Compliant
 For Quad Port T1/E1 applications
 Meets high performance EMI reduction required for
 Common mode attenuation from 100kHz to 500MHz
 Operating temperature range:0°Cto+70°C
 Storage temperature range:-25°Cto+125°C

Electrical Specifications @ 25°C

Part Number	TURNS RATIO		OCL @100KHz0.1V		LK @100KHz0.1V	CWW @100KHz 1V	DCR		HI-POT
	1-40:2-39	3-38:5-36	1-40	3-38	1-40 (short 2-39)	1-2	PRI.	SEC.	PRI-SEC
TE40A30	1:1±2%	1:1±2%	47uH Min		0.45uH Max	25PF MAX.	0.5ΩMAX	0.5ΩMAX	500VAC 2S

Mechanical

Schematics



Dimension:mm
 Unless otherwise specified,tolerances:±0.25(mm)
 Data sheet subject to change without notice

