

ADSL Transformer

RoHS compliance product

EN60950 Basic Insulation Compliant-250Vrms

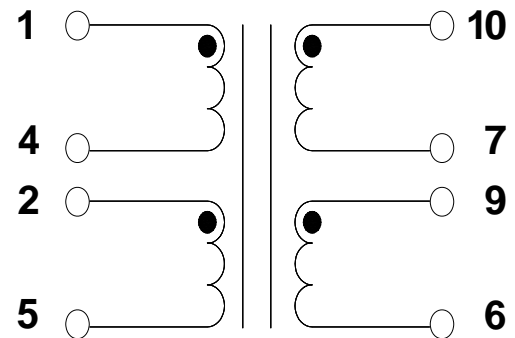
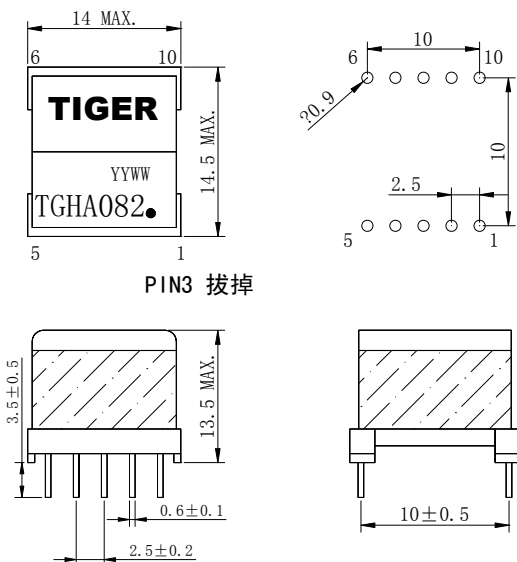
Operating temperature range:-40°C to +85°C

Electrical Specifications @ 25°C

Part Number	Turns Ratio	OCL @10KHz 100mV	LL @100KHz 100mV	DCR(mΩ max)				THD @30KHz 3.162 V	Hi-Pot
				1-4	2-5	9-6	10-7		PRI.-SEC.
TGHA082	1-5: 10-6 (2-4, 7-9 short)	1-5 (2-4 short)	1-5 (2-4, 6-7-9-10 short)	850	850	210	160	-83dB MAX.	3000VAC/1S/1mA

Mechanical

Schematics



Dimension:mm

Unless otherwise specified,tolerances:±0.25(mm)

Data sheet subject to change without notice

Anhui Tiger Co., Ltd

Tel: 86-13605604993

sale@tiger-transformer.com

