

Type EI28/12

Power 1.5 VA

Weight 70 g

shipping unit per box: 40 PCS

temperature class: ta 50°C/B

Safety transformer/Short circuit proof

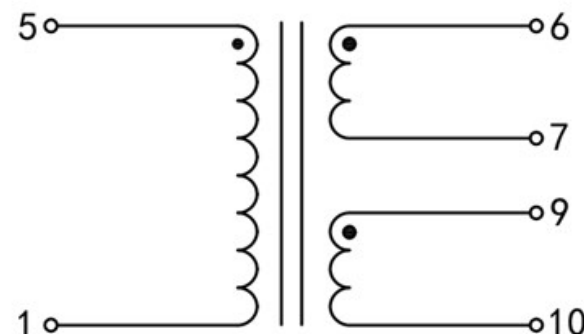
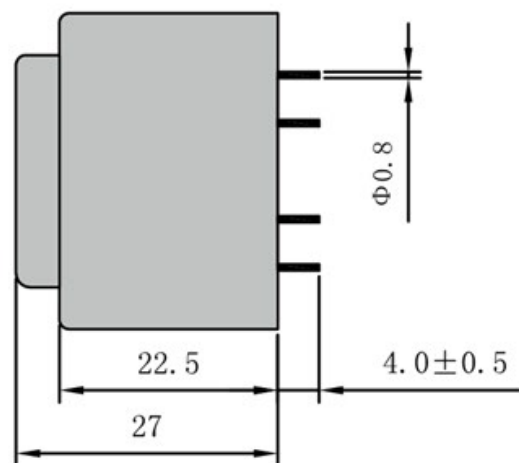
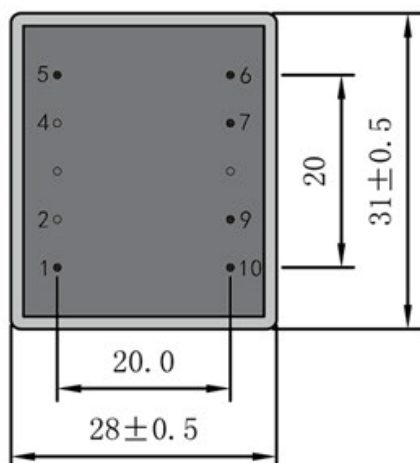
Vacuum filled casting

Split bobbin design winding

Dielectric strength 4500Vrms

PART NO	Output ta 70°C/B	Prim.V	Connecting pins	Operating point sec. ± 10%	Connecting pins	No-load voltage V ± 10%
TG2812-E-0150-075-D	1.5 W	230	1--5	7.5V 100.0mA	6--7	10.3V
				7.5V 100.0mA	9--10	10.3V

According to



Dimensions with no indication of tolerances: ± 0.3mm
 Custom-made transformer also will be welcome.

