

Type EI28/12

Power 1.5 VA

Weight 70g

shipping unit per box: 40 PCS

temperature class: ta 50°C/B

Safety transformer/Short circuit proof

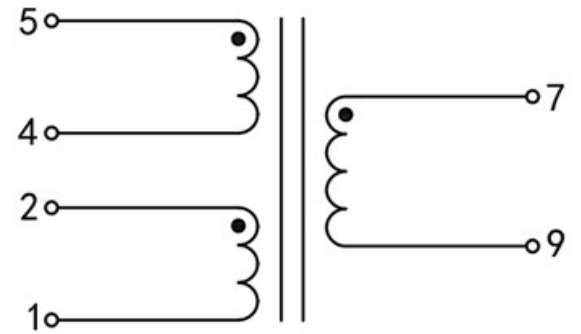
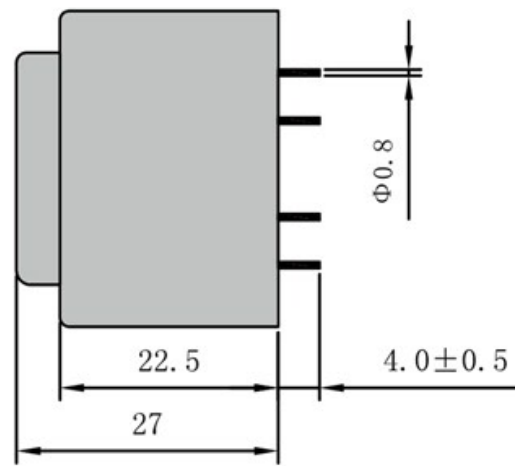
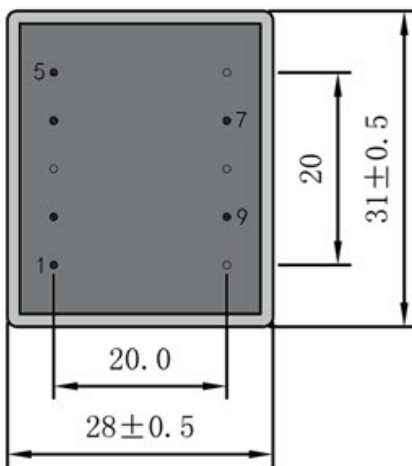
Vacuum filled casting

Split bobbin design winding

Dielectric strength 4500Vrms

| PART NO | Output ta 70°C/B | Prim.V | Connecting pins | Operating point sec. ± 10% | Connecting pins | No-load voltage V ± 10% |
|----------------------|------------------|--------|-----------------|-------------------------------|-----------------|----------------------------|
| TG2812-U2-0150-120-S | 1.5 W | 115 | 1--2 | 12V 125.0mA | 7--9 | 16.5V |
| | | 115 | 4--5 | | | |

According to



Dimensions with no indication of tolerances: ± 0.3mm
Custom-made transformer also will be welcome.

