

Type EI28/15

Power 1.5VA

Weight 85g

shipping unit per box: 40 PCS

temperature class: ta 70°C/B

Safety transformer/Short circuit proof

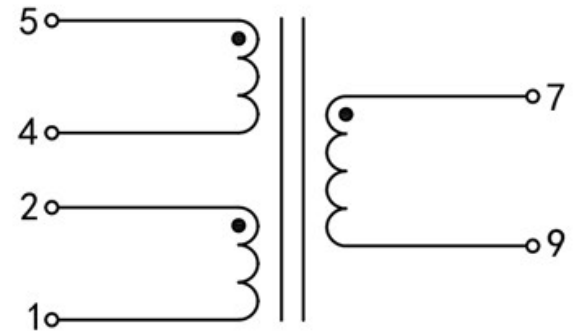
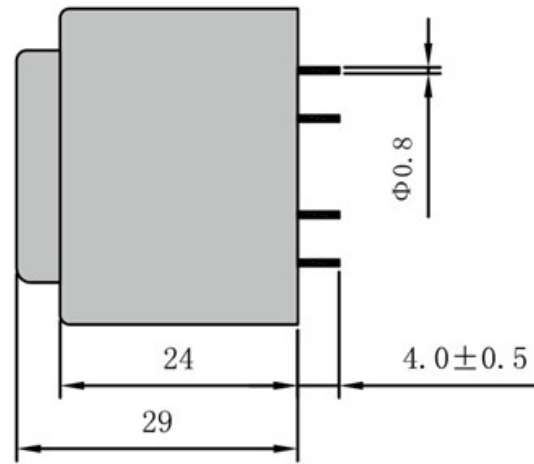
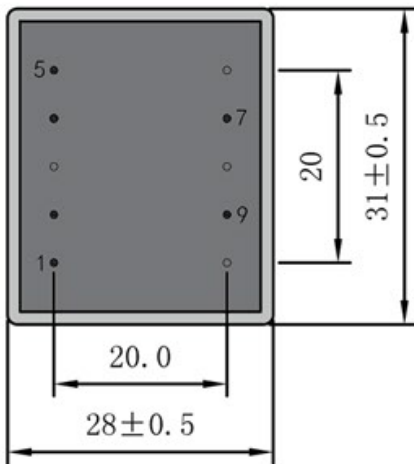
**Vacuum filled casting**

Split bobbin design winding

**Dielectric strength 4500Vrms**

PART NO	Output ta 70°C/B	Prim.V	Connecting pins	Operating point sec. ± 10%	Connecting pins	No-load voltage V ± 10%
TG2815-U2-0150-120-S	1.5 W	115	1--2	12V 125.0mA	7--9	16.0V
		115	4--5			

According to



Dimensions with no indication of tolerances: ± 0.3mm

Custom-made transformer also will be welcome.



We made a better future

www.tiger-transformer.com

Tel: 86-13605604993  
sale@tiger-transformer.com

