

Type EI28/15

Power 1.5VA

Weight 85g

shipping unit per box: 40 PCS

temperature class: ta 70°C/B

Safety transformer/Short circuit proof

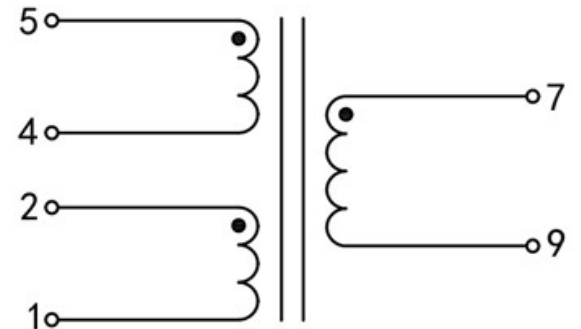
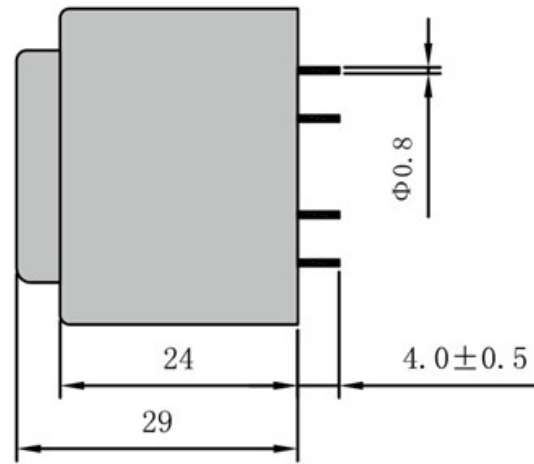
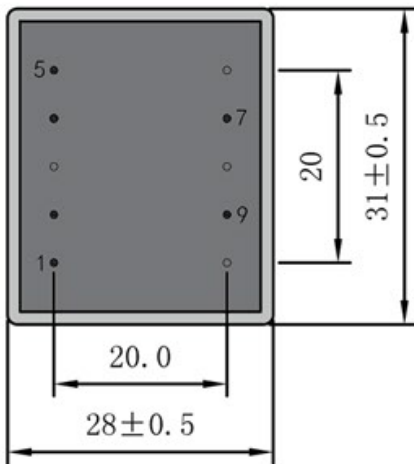
**Vacuum filled casting**

Split bobbin design winding

**Dielectric strength 4500Vrms**

| PART NO              | Output ta 70°C/B | Prim.V | Connecting pins | Operating point<br>sec. ± 10% | Connecting pins | No-load voltage<br>V ± 10% |
|----------------------|------------------|--------|-----------------|-------------------------------|-----------------|----------------------------|
| TG2815-U2-0150-150-S | 1.5 W            | 115    | 1--2            | 15V 100.0mA                   | 7--9            | 20.0V                      |
|                      |                  | 115    | 4--5            |                               |                 |                            |

According to



Dimensions with no indication of tolerances: ± 0.3mm

Custom-made transformer also will be welcome.



We made a better future

www.tiger-transformer.com

Tel: 86-13605604993  
sale@tiger-transformer.com

