

Type EI28/18

Power 2.3 VA

Weight 100 g

shipping unit per box: 40 PCS

temperature class: ta 50°C/B

Safety transformer/Short circuit proof

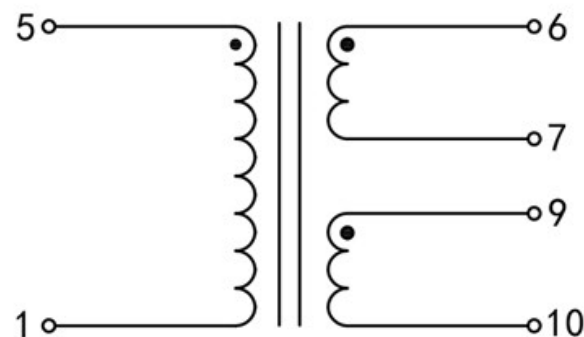
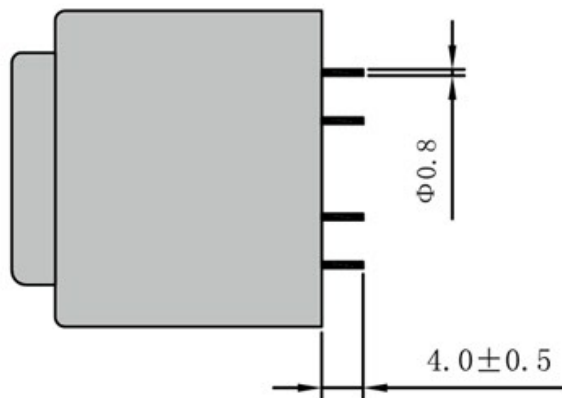
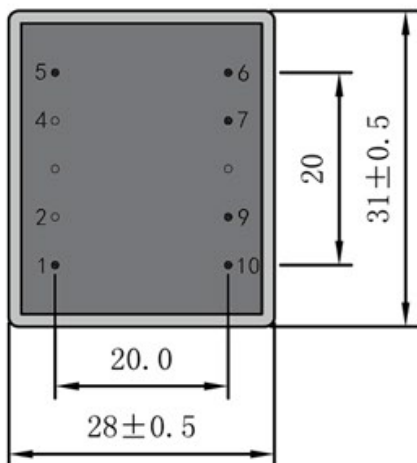
**Vacuum filled casting**

Split bobbin design winding

**Dielectric strength 4500Vrms**

| PART NO             | Output ta 70°C/B | Prim.V | Connecting pins | Operating point<br>sec. ± 10% | Connecting pins | No-load voltage<br>V ± 10% |
|---------------------|------------------|--------|-----------------|-------------------------------|-----------------|----------------------------|
| TG2818-E-0230-240-D | 2.3 W            | 230    | 1--5            | 24V 47.9mA                    | 6--7            | 35.3V                      |
|                     |                  |        |                 | 24V 47.9mA                    | 9--10           | 35.3V                      |

According to



Dimensions with no indication of tolerances: ± 0.3mm  
Custom-made transformer also will be welcome.

