

Type EI28/18

Power 2.0VA

Weight 100g

shipping unit per box: 40 PCS

temperature class: ta 70°C/B

Safety transformer/Short circuit proof

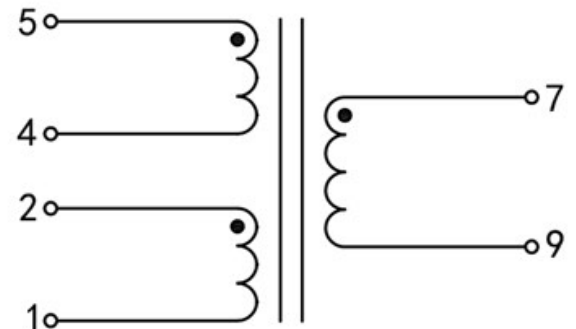
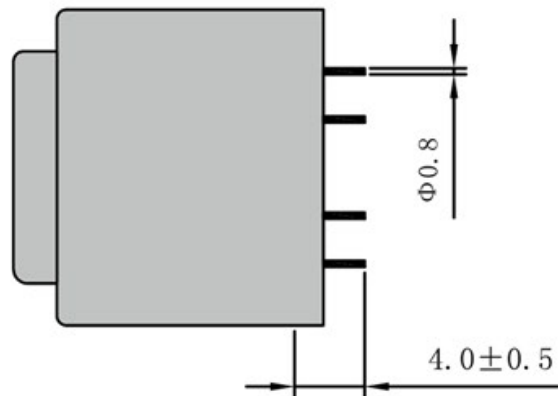
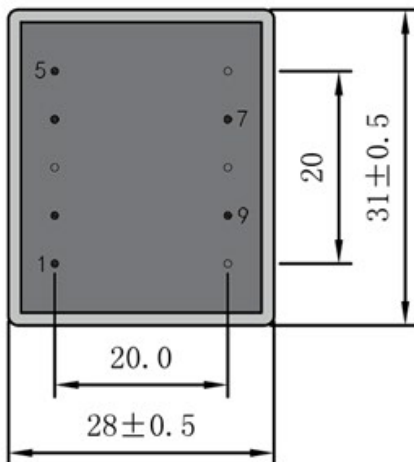
Vacuum filled casting

Split bobbin design winding

Dielectric strength 4500Vrms

PART NO	Output ta 70°C/B	Prim.V	Connecting pins	Operating point sec. ± 10%	Connecting pins	No-load voltage V ± 10%
TG2818-U2-0200-240-S	2.0 W	115	1--2	24V 83.3mA	7--9	35.3V
		115	4--5			

According to



Dimensions with no indication of tolerances: ± 0.3mm
Custom-made transformer also will be welcome.

