

Type EI30/12.5

Power 1.8 VA

Weight 85 g

shipping unit per box: 40 PCS.

temperature class: ta 50°C/B

Safety transformer/Short circuit proof

Vacuum filled casting

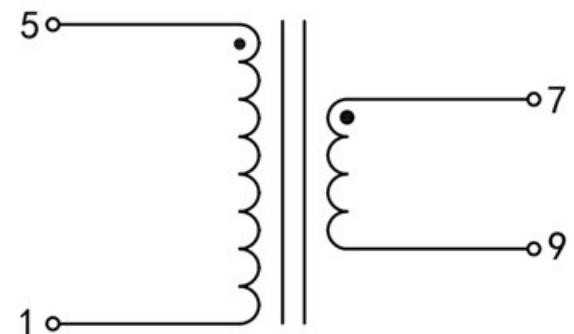
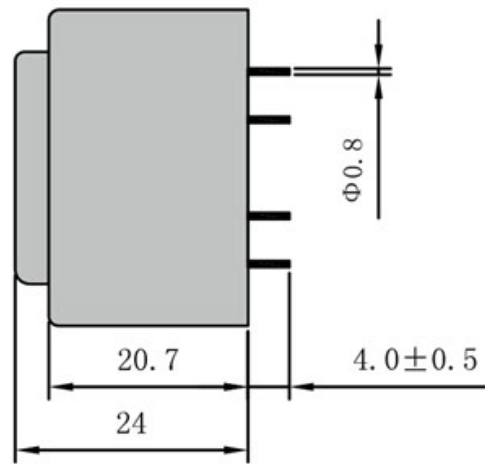
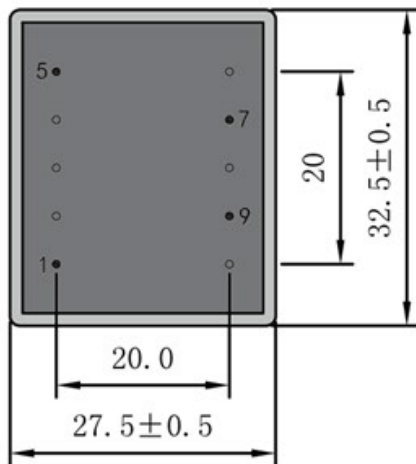
Split bobbin design winding

with VDE, ENEC 10, UL ,CE,CB certificates

Dielectric strength 4500Vrms

PART NO	Output ta 50°C/B	Prim.V	Connecting pins	Operating point sec. ± 10%	Connecting pins	No-load voltage ± 10%
TG3012-E-0180-150-S	1.8W	230	1--5	15V 120.0mA	7--9	22.0V

Approved by



Dimensions with no indication of tolerances: ± 0.3mm
Custom-made transformer also will be welcome.

