

Type EI30/12.5

Power 1.8VA

Weight 85g

shipping unit per box: 40 PCS

temperature class: ta 50°C/B

Safety transformer/Short circuit proof

**Vacuum filled casting**

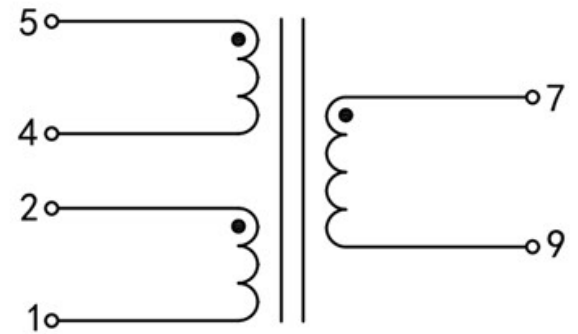
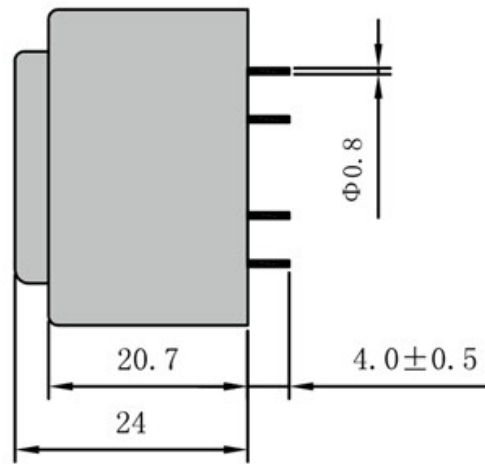
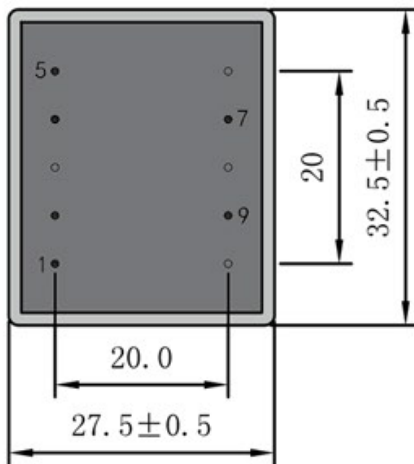
Split bobbin design winding

**with VDE, ENEC 10, UL ,CE,CB certificates**

Dielectric strength 4500Vrms

PART NO	Output ta 50°C/B	Prim.V	Connecting pins	Operating point sec. ± 10%	Connecting pins	No-load voltage V ± 10%
TG3012-U2-0180-060-S	1.8W	115	1--2	6V 300.0mA	7--9	8.8V
		115	4--5			

Approved by



Dimensions with no indication of tolerances: ± 0.3mm  
Custom-made transformer also will be welcome.

