

Type EI30/15.5

Power 2.0 VA

Weight 100g

shipping unit per box: 40 PCS

temperature class: ta 70°C/B

Safety transformer/Short circuit proof

Vacuum filled casting

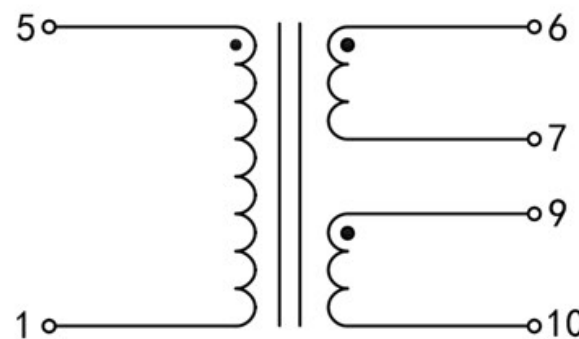
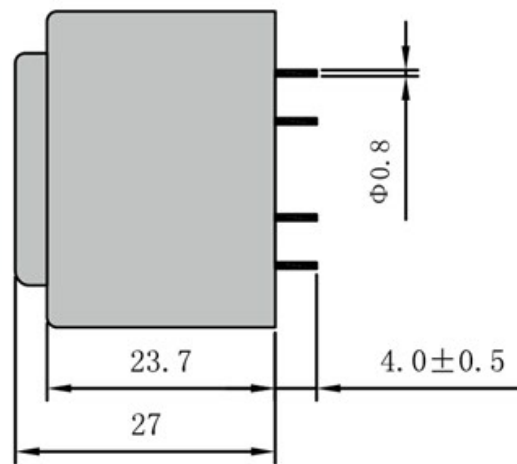
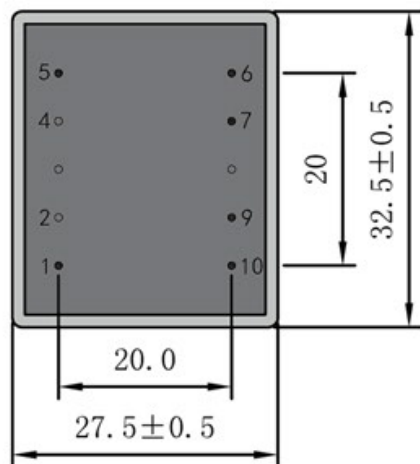
Split bobbin design winding

with VDE, ENEC 10, UL, CE, CB certificates

Dielectric strength 4500Vrms

PART NO	Output ta 70°C/B	Prim.V	Connecting pins	Operating point sec. ± 10%	Connecting pins	No-load voltage V ± 10%
TG3015-E-0200-120-D	2.0W	230	1--5	12V 83.3mA	6--7	18.0V
				12V 83.3mA	9--10	18.0V

Approved by



Dimensions with no indication of tolerances: ± 0.3mm
Custom-made transformer also will be welcome.

