

Type EI30/12.5

Power 1.2VA

Weight 85g

shipping unit per box: 40 PCS

temperature class: ta 70°C/B

Max.standby power consumption ≤0.5W

Safety transformer/Short circuit proof

Vacuum filled casting

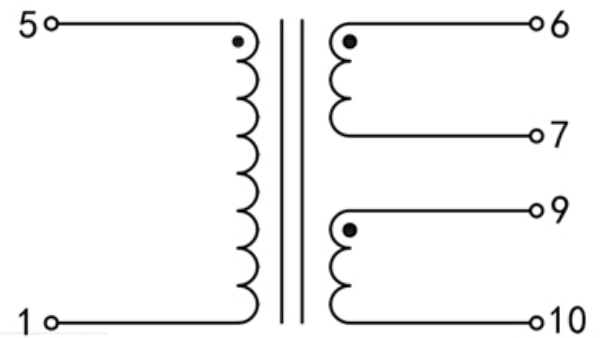
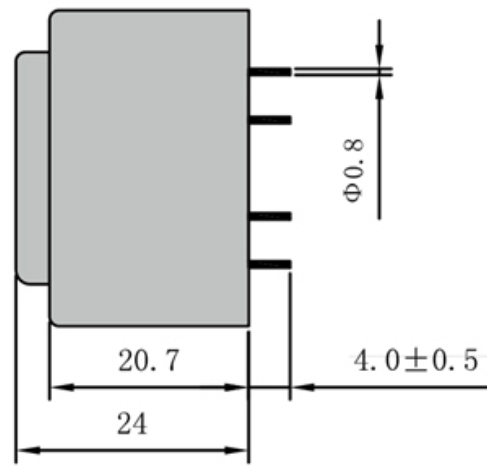
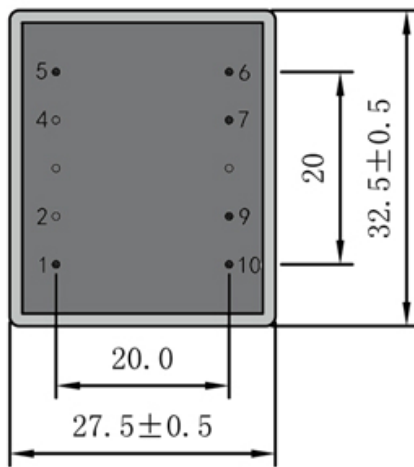
Split bobbin design winding

with VDE, ENEC 10, UL, CE, CB certificates

Dielectric strength 4500Vrms

PART NO	Output ta 70°C/B	Prim.V	Connecting pins	Operating point sec. ± 10%	Connecting pins	No-load voltage V ± 10%
TG3012-E-0120-120-D	1.2W	230	1--5	12V 50.0mA	6--7	16.4V
				12V 50.0mA	9--10	16.4V

Approved by



Dimensions with no indication of tolerances: ± 0.3mm
Custom-made transformer also will be welcome.

