

Type EI54/18

Power 16.0VA

Weight 440g

shipping unit per box: 10 PCS

temperature class: ta 70°C/B

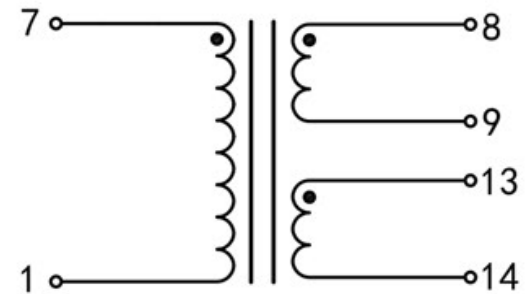
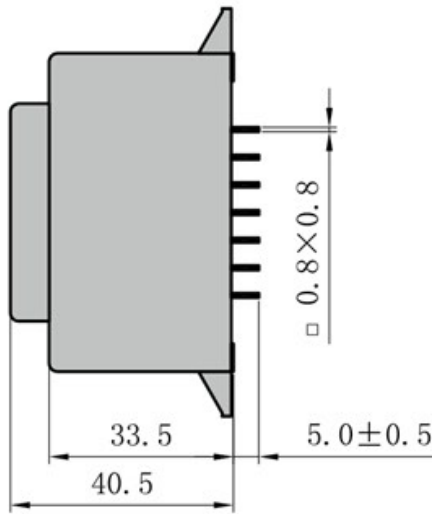
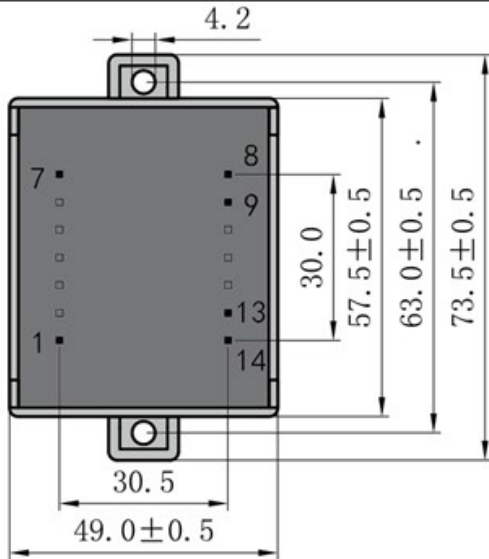
Vacuum filled casting

Split bobbin design winding

Dielectric strength 4500Vrms

PART NO	Output ta 70°C/B	Prim.V	Connecting pins	Operating point sec. ± 10%	Connecting pins	No-load voltage V ± 10%
TG5418-E-1600-075-D	16.0W	230	1--7	7.5V 1066.6mA	8--9	9.4V
				7.5V 1066.6mA	13--14	9.4V

According to



Dimensions with no indication of tolerances: ± 0.3mm
Custom-made transformer also will be welcome.

