

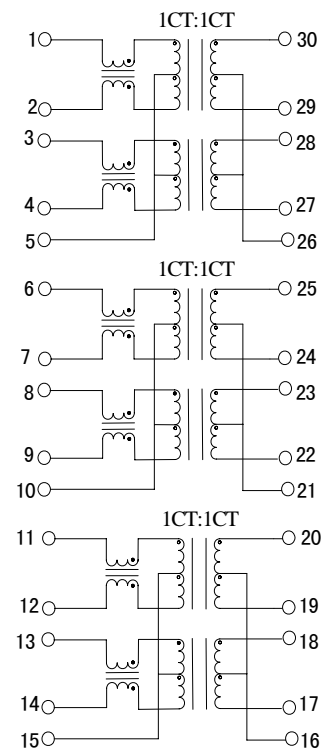
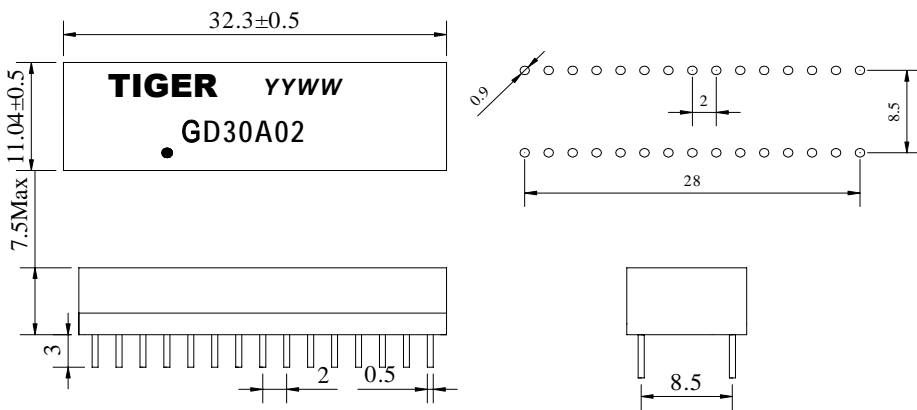
Designed to meet IEEE802.3ab requirement
 Primary inductance 350uH min with 8mA DC Bias
 RoHS Compliant
 Operating temperature range:0°C to +70°C
 Storage temperature range:-25°C to +125°C

Electrical Specifications @ 25°C

Part Number	Turn Ratio		Insertion Loss 0.3~100M Hz (dB Max)	Return Loss (dB Min)			Cross Talk (dB Min)			CMRR (dB Min) 0.50-100 MHz	CWW (pF Max)	LK (uH Max)	DCR (Ω Max)	Hi-Pot (Vrms)
	Tx	Rx		30 MHz	60 MHz	80 MHz	30 MHz	60 MHz	80 MHz					
GD30A02	1:1	1:1	-1.15	-20	-14	-12	-45	-40	-35	-30	56	0.5	1.5	1500

Mechanical

Schematics



Dimension:mm
 Unless otherwise specified,tolerances:±0.25(mm)
 Data sheet subject to change without notice

