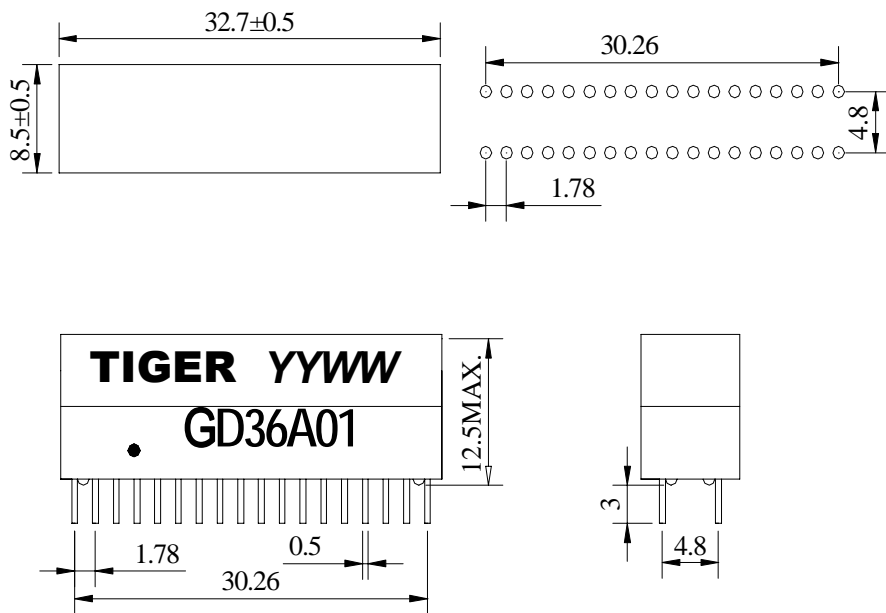


Designed to meet IEEE802.3ab requirement  
 Primary inductance 350uH min with 8mA DC Bias  
 RoHS Compliant.  
 Operating temperature range:0°C to +70°C  
 Storage temperature range:-25°C to +125°C

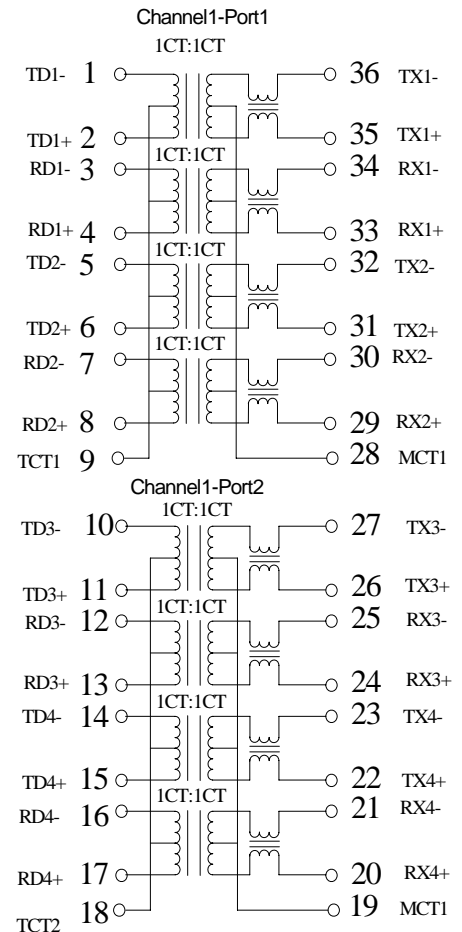
## Electrical Specifications @ 25°C

Part Number	Turn Ratio		Insertion Loss 0.5~100MHz (dB Max)	Return Loss (dB Min)					Cross Talk (dB Min)		CMRR (dB Min) 0.50-100 MHz	CWW (PF Max)	Hi-Pot (Vrms)
	Tx	Rx		0.5-30 MHz	40 MHz	50 MHz	60-80 MHz	100 MHz	0.5-60 MHz	60.1-100 MHz			
	GD36A01	1:1		1:1	-1.1	-18	-14.4	-13.1	-12	-10			

### Mechanical



### Schematic



NOTE:

- Dimensions:mm;
- Unless otherwise specified,tolerances:±0.25(mm);

Anhui Tiger Co., Ltd

Tel: 86-13605604993  
 sale@tiger-transformer.com

