

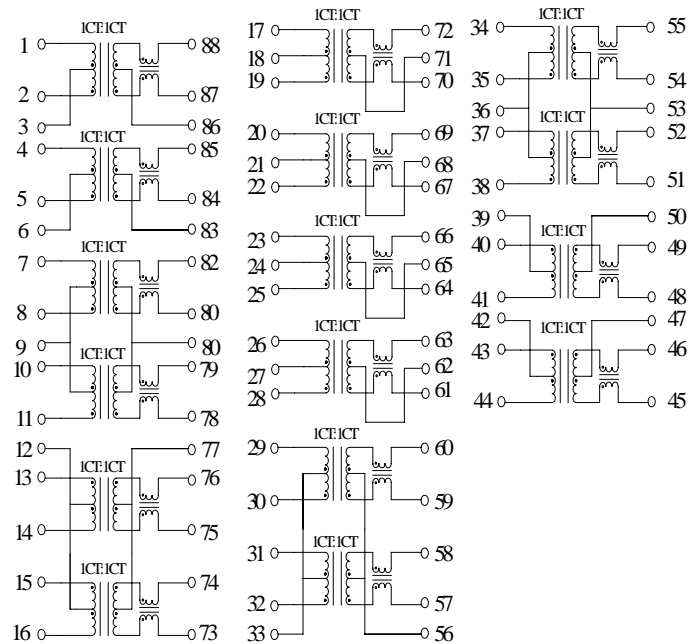
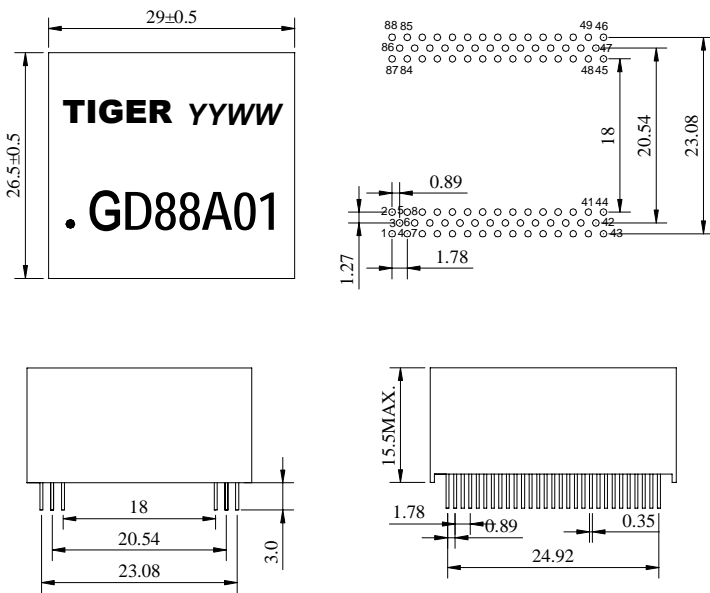
**Designed to meet IEEE802.3ab requirement**  
**Primary inductance 350uH min with 8mA DC Bias**  
**RoHS Compliant.**  
**Operating temperature range:0°Cto+70°C**  
**Storage temperature range:-25°Cto+125°C**

## Electrical Specifications @ 25°C

Part Number	Turn Ratio		Insertion Loss 0.5 ~100MHz (dB Max)	Return Loss (dB Min)			Cross Talk (dB Min)		CMRR (dB Min)	CWW (pF Max)	LK (uH Max)	DCR (Ω Max)	Hi-Pot (Vrms)
	Tx	Rx		0.5-30 MHz	30.1-60 MHz	60.1-80 MHz	0.5-40 MHz	40.1-100 MHz					
GD88A01	1:1	1:1	-1.0	-16	-14	-12	-35	-30	-30	28/ 56	0.5	1.2	1500

### Mechanical

### Schematic



**NOTE:**

- 1、 Dimensions:mm;
- 2、 Unless otherwise specified,tolerances:±0.25(mm);

