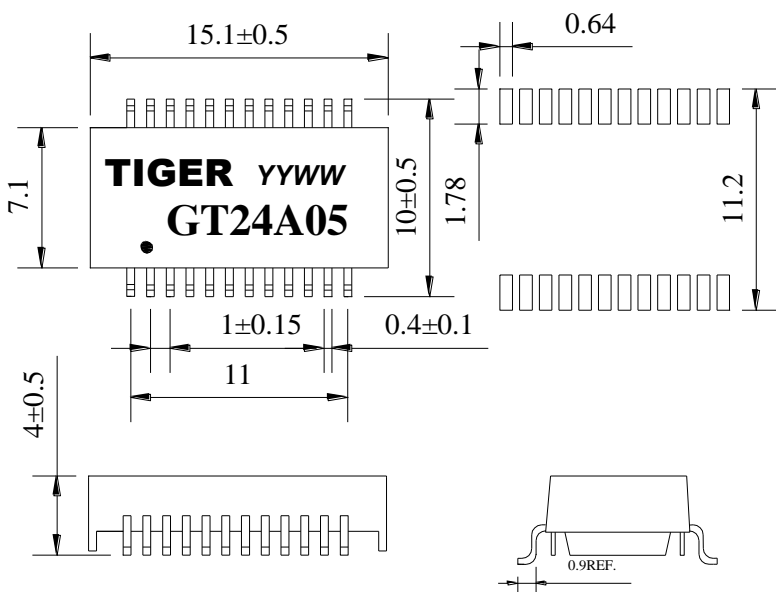


Designed to meet IEEE802.3ab requirement
 Designed for Lead Free to meet IR255°C peak requirement
 Primary inductance 350uH min with 8mA DC Bias
 RoHS Compliant
 Operating temperature range:-40°Cto+85°C
 Storage temperature range:-40°Cto+85°C

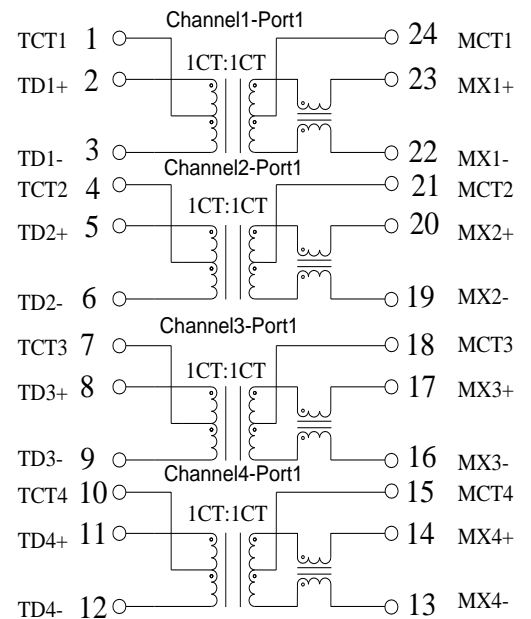
Electrical Specifications @ 25°C

| Part Number | Turn Ratio | | Insertion Loss 0.5~100MHz (dB Max) | Return Loss (dB Min) | | | Cross Talk (dB Min) | | CMRR (dB Min) | CWW (pF Max) | LK (uH Max) | DCR (Ω Max) | Hi-Pot (Vrms) |
|-------------|------------|-----|--|-------------------------|----------------|----------------|------------------------|-----------------|------------------|-----------------|----------------|----------------|------------------|
| | Tx | Rx | | 0.5-30 MHz | 30.1-60 MHz | 60.1-80 MHz | 0.5-40 MHz | 40.1-100 MHz | | | | | |
| GT24A05 | 1:1 | 1:1 | -1.0 | -16 | -14 | -12 | -35 | -30 | -30 | 28 | 0.5 | 1.2 | 1500 |

Mechanical



Schematics



Dimension:mm
 Unless otherwise specified,tolerances:±0.25(mm)
 Data sheet subject to change without notice

