

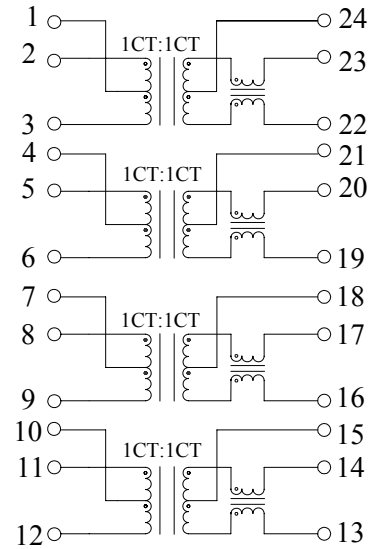
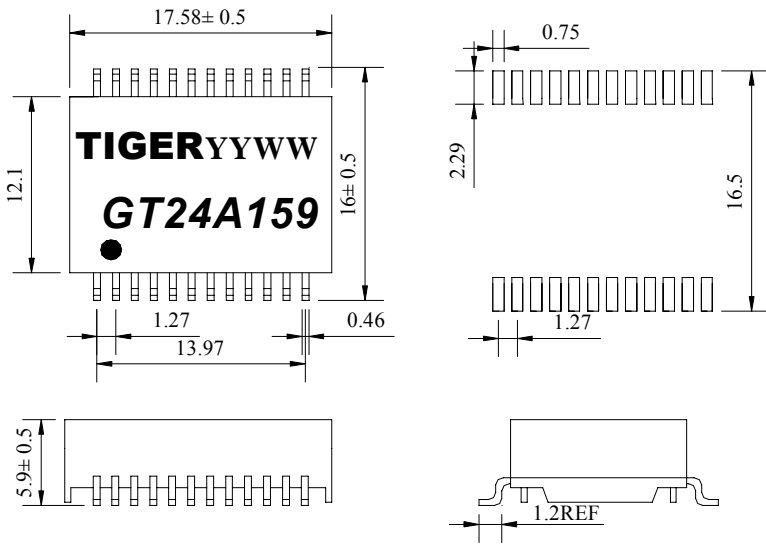
Designed for 2.5G/ 5G Ethernet application
 Designed to meet IR 255°C peak requirement
 ROHS Compliant
 Operating temperature range: 0°C to +70°C
 Storage temperature range: -25°C to +125°C
 Withstands 4.0KV(REF.) surge

Electrical Specifications @ 25°C

Part Number	Turn Ratio (±5%)		OCL @100KHz,0.1V	Cross Talk (dB Min)		HI-POT
	Tx/Rx			1~100MHz	100~250MHz	
GT24A159	1CT:1CT		180uH MIN.	$20 \log_{10} \left[10^{\frac{35.3 - 15 \log_{10}(f/100)}{-20}} + 2 \times 10^{\frac{43 - 20 \log_{10}(f/100)}{-20}} \right]$		DC 4000V
Part Number	Insertion Loss (dB Max)		Return Loss (dB Min)@Load 100Ω		DCMR (dB Min)	
	1~100 MHz	100 ~250MHz	1-40MHz	40-250MHz	1-30MHz	30-250MHz
GT24A159	-1.0	-2.0	-16	$-(16 - 10 \log_{10}(f/40))$	-48	$-(44 - 19.2 \log_{10}(f/50))$

Mechanical

Schematics



Dimension:mm
 Unless otherwise specified,tolerances:±0.25(mm)
 Data sheet subject to change without notice

