

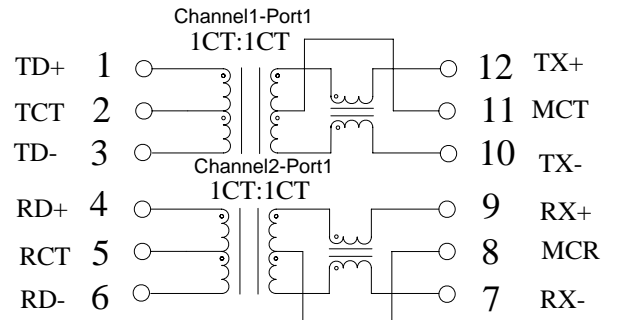
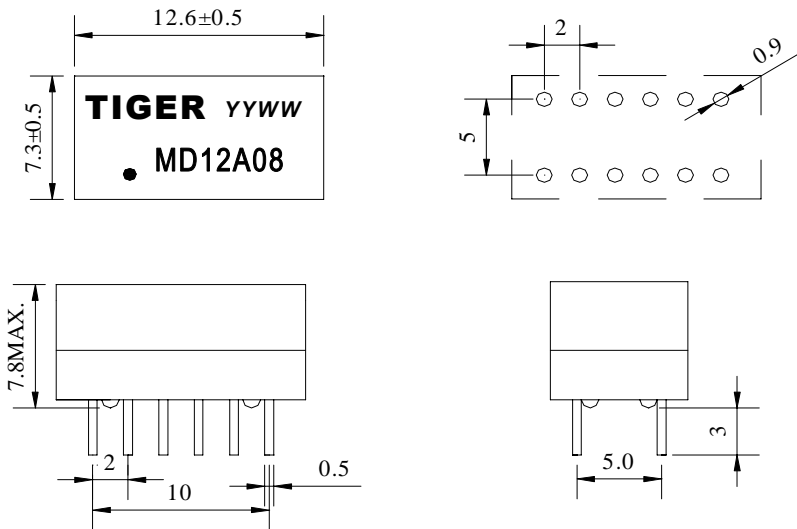
Designed to meet IEEE802.3u requirement
 Primary inductance 350uH min with 8mA DC Bias
 RoHS Compliant.
 Operating temperature range:0°Cto+70°C
 Storage temperature range:-25°Cto+125°C

Electrical Specifications @ 25°C

Part Number	Turn Ratio		Insertion Loss 0.5-100M Hz (dB Max)	Return Loss (dB Min)			Cross Talk (dB Min)		DCMR (dB Min)	CWW (pF Max)	LK (uH Max)	DCR (Ω Max)	Hi-Pot (Vrms)
	Tx	Rx		0.5-30 MHz	30.1-60 MHz	60.1-80 MHz	0.5-60 MHz	60.1-100 MHz					
MD12A08	1:1	1:1	-1.0	-16	-14	-12	-40	-35	-35	28	0.5	1.2	1500

Mechanical

Schematic



NOTE:

- Dimensions:mm;
- Unless otherwise specified,tolerances:±0.25(mm);

Anhui Tiger Co., Ltd

Tel: 86-13605604993
 sale@tiger-transformer.com

