

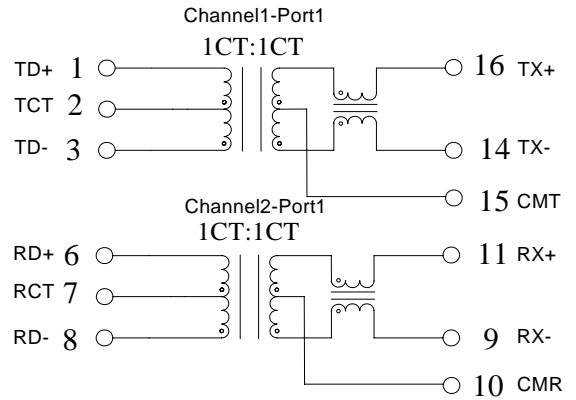
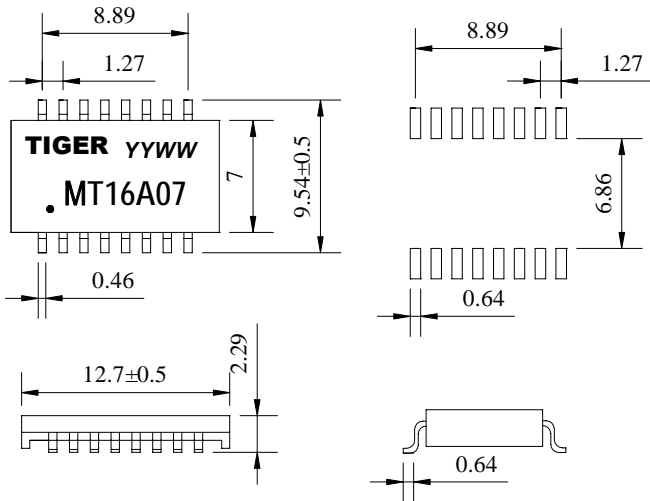
**Designed to meet IEEE802.3ab requirement**  
**Designed to meet IR 255°C peak requirement**  
**Primary inductance 350uH min**  
**ROHS Compliant**  
**Operating temperature range:0°Cto+70°C**  
**Storage temperature range:-25°Cto+125°C**

**Electrical Specifications @ 25°C**

Part Number	Turn Ratio		Insertion Loss 0.5~100MHz (dB Max)	Return Loss (dB Min)			Cross Talk (dB Min)		CMRR (dB Min)	CWW (pF Max)	LK (uH Max)	DCR (Ω Max)	Hi-Pot (Vrms)
	Tx	Rx		0.5-30 MHz	30.1-60 MHz	60.1-80 MHz	0.5-40 MHz	40.1-100 MHz					
MT16A07	1:1	1:1	-1.0	-16	-14	-12	-35	-30	-30	35	0.5	1.2	1500

**Mechanical**

**Schematics**



Dimension:mm  
 Unless otherwise specified,tolerances:±0.25(mm)  
 Data sheet subject to change without notice

**Anhui Tiger Co., Ltd**

Tel: 86-13605604993  
 sale@tiger-transformer.com

