

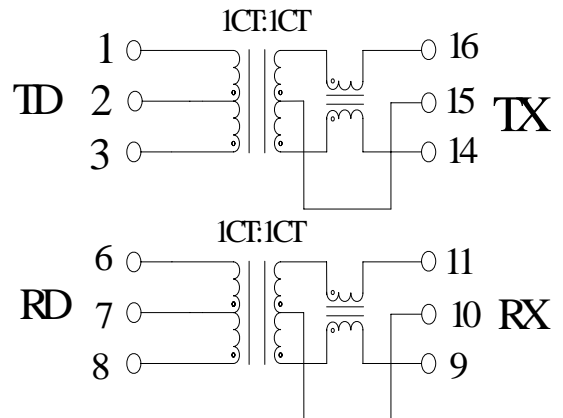
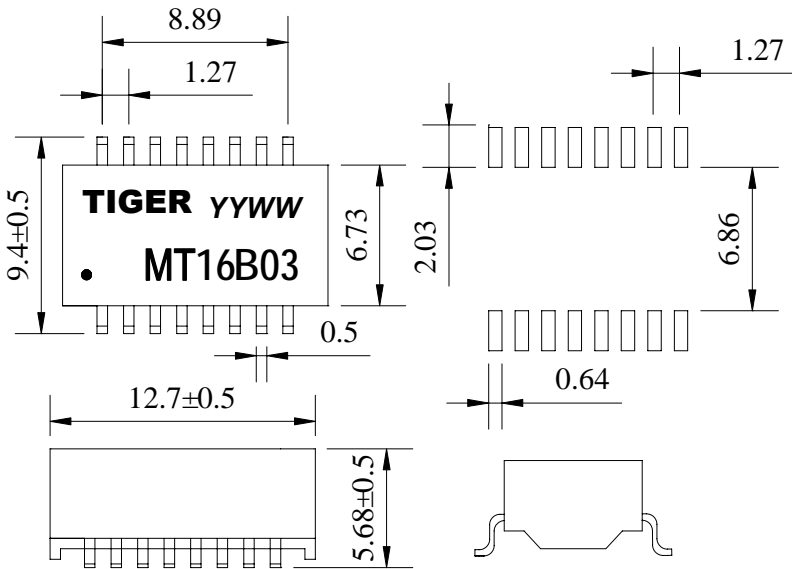
Designed to meet IEEE802.3u requirement  
 Designed to meet IR 255°C peak requirement  
 Primary inductance 350uH min with 8mA DC Bias @100KHz,0.1V  
 ROHS Compliant  
 Operating temperature range:0°C to +70°C  
 Storage temperature range:-25°C to +125°C

## Electrical Specifications @ 25°C

Part Number	Turn Ratio		Insertion Loss 0.3~100MHz (dB Max)	Return Loss (dB Min)			Cross Talk (dB Min)		DMRR (dB Min)	LK (Max)	DCR (Max)	CWW (Max)	Hi-Pot (Vrms)
	Tx	Rx		30 MHz	60 MHz	80 MHz	0.3-60 MHz	60-100 MHz					
MT16B03	1:1	1:1	-1.15	-18	-14	-12	-45	-35	-30	0.5 uH	1.2Ω	28pF	1500

## Mechanical

## Schematics



Dimension:mm  
 Unless otherwise specified,tolerances:±0.25(mm)  
 Data sheet subject to change without notice

