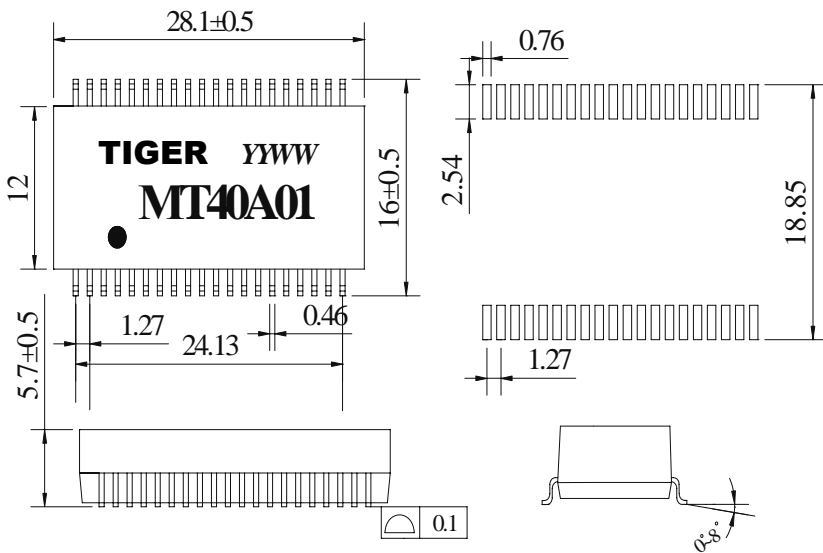


Designed to meet IEEE802.3ab requirement  
 Designed to meet IR 255°C peak requirement  
 Primary inductance 350uH min with 8mA DC Bias  
 ROHS Compliant  
 Operating temperature range:0°Cto+70°C  
 Storage temperature range:-25°Cto+125°C

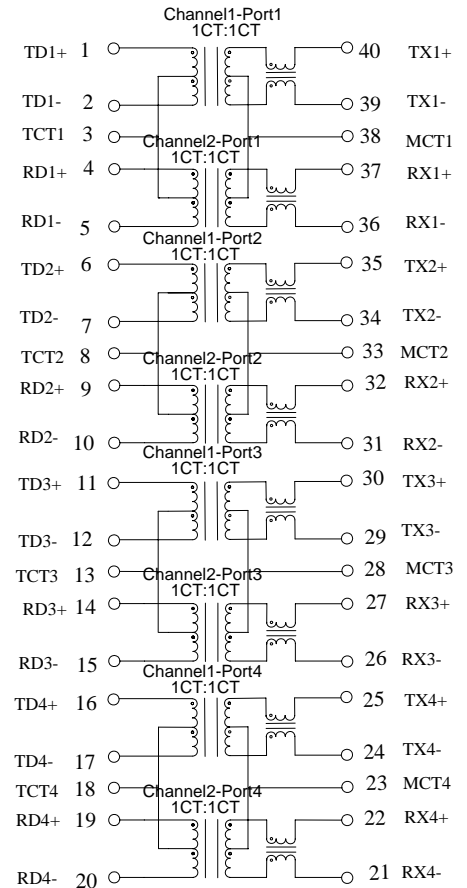
**Electrical Specifications @ 25°C**

Part Number	Turn Ratio		Insertion Loss 0.3~100Mz (dB Max)	Return Loss (dB Min)					Cross Talk (dB Min)		DCMR (dB Min)			Hi-Pot (Vrms)
	Tx	Rx		1-30 MHz	40 MHz	50 MHz	60-80 MHz	100 MHz	30-60 MHz	60.1-100 MHz	60 MHz	100 MHz	200 MHz	
MT40A01	1CT:1CT	1CT:1CT	-1.15	-18	-16	-14.1	-12	-10	-40	-35	-37	-28	-25	1500

**Mechanical**



**Schematics**



Dimension:mm  
 Unless otherwise specified,tolerances:±0.25(mm)  
 Data sheet subject to change without notice

