

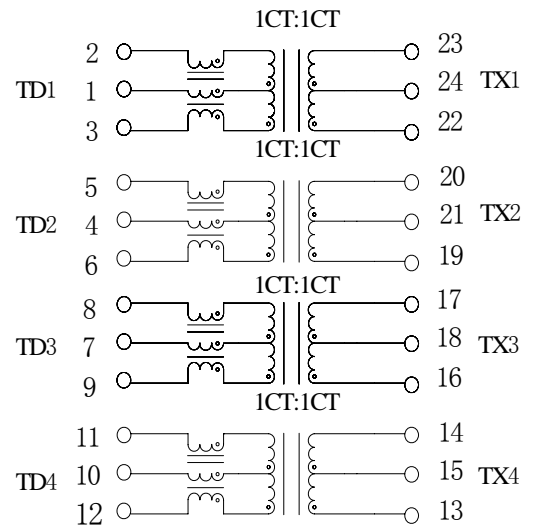
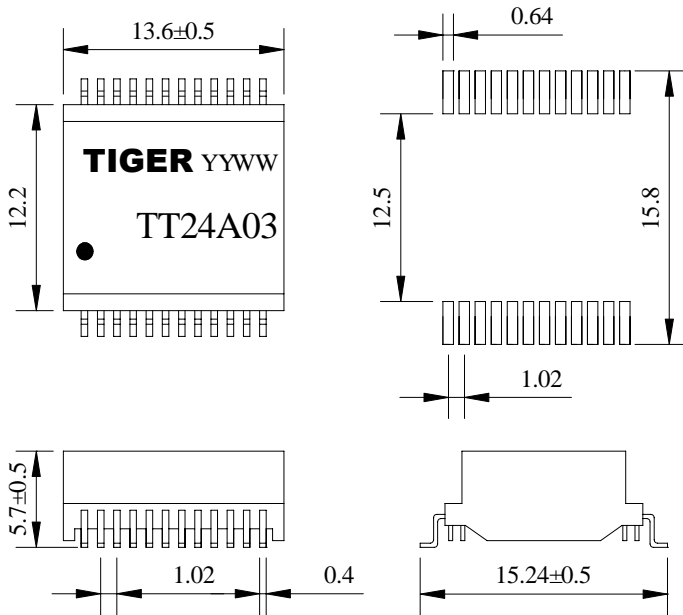
Designed for Lead Free to meet IR255°C peak requirement
 Primary inductance 200uH min
 RoHS Compliant
 Operating temperature range:0°Cto+70°C
 Storage temperature range:-25°Cto+125°C

Electrical Specifications @ 25°C

Part Number	Turn Ratio		Insertion Loss		Return Loss (dB Min)		Cross Talk (dB MAX)		Common Differential Mode Rejection (Max)		QCL (uH Min)	Hi-Pot (Vrms)
	Tx	Rx	100 KHZ	1-400M HZ	1-40 MHz	40-500 MHz	1-100 MHz	100-500 MHz	1-250 MHz	250-500 MHz	100 KHz 0.1V	
TT24A03	1:1	1:1	-3.0	-1.5	-18	-14+10*log(f/40)	-40	-30	-30	-22	200	1500

Mechanical

Schematics



Dimension:mm
 Unless otherwise specified,tolerances: ±0.25(mm)
 Data sheet subject to change without notice

