

Type **UI30/5.5**

Power **3.0 VA**

Weight **125g**

shipping unit per box: **18 pcs** temperature class: **ta 50°C/B**

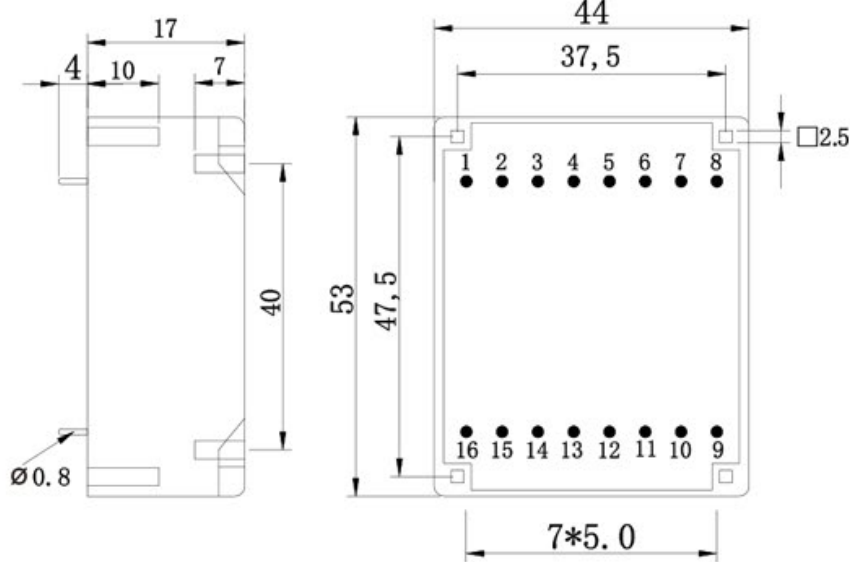
Vacuum filled casting

Split bobbin design winding

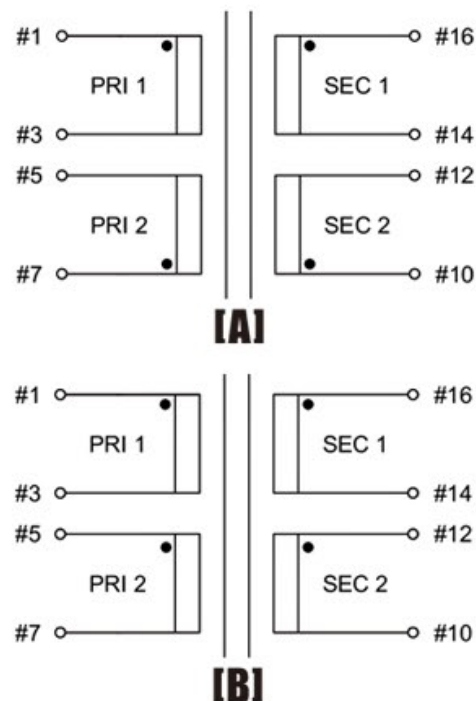
Dielectric strength 3750Vrms

PART NO	Output ta 50°C/B	Prim.V	Connecting pins	Operating point sec. ± 10%	Connecting pins	No-load voltage V ± 10%
TG3005-U2-0300-120-D	3.0 W	115	1---3	12V 125.0mA	10---12	19.6V
		115	5---7	12V 125.0mA	14---16	19.6V

According to



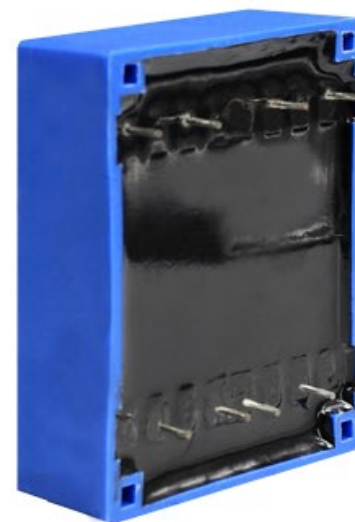
Schematics



Tolerances : <10mm ±0.3mm

10--50mm ±0.5mm

Custom-made transformer also will be welcome.



We made a better future

www.tiger-transformer.com

Tel: 86-13605604993
sale@tiger-transformer.com

