

Type **UI39/10.2**

Power **14.0 VA**

Weight **315g**

shipping unit per box: **12 pcs**      temperature class: **ta 50°C/B**

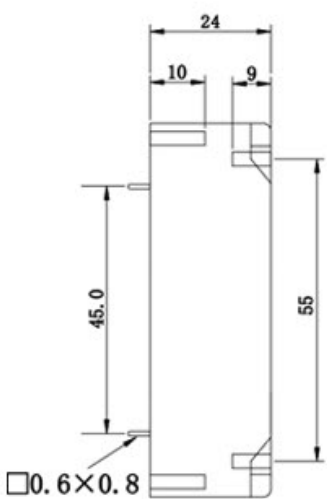
**Vacuum filled casting**

Split bobbin design winding

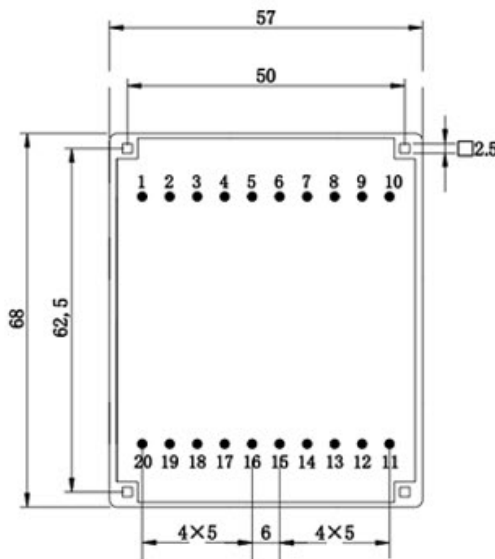
**Dielectric strength 3750Vrms**

PART NO	Output ta 50°C/B	Prim.V	Connecting pins	Operating point sec. ± 10%	Connecting pins	No-load voltage V ± 10%
TG3910-U2-1400-240-D	14.0 W	115	1---4	24V 291.6mA	12---14	30.2V
		115	6---9	24V 291.6mA	17---19	30.2V

According to



**Front View**



**Bottom View**

Tolerances : <10mm ±0.3mm  
10--70mm ±0.5mm

Custom-made transformer also will be welcome.

**Schematics**

