

Type **UI39/13.5**

Power **18.0 VA**

Weight **385g**

shipping unit per box: **12 pcs**      temperature class: **ta 50°C/B**

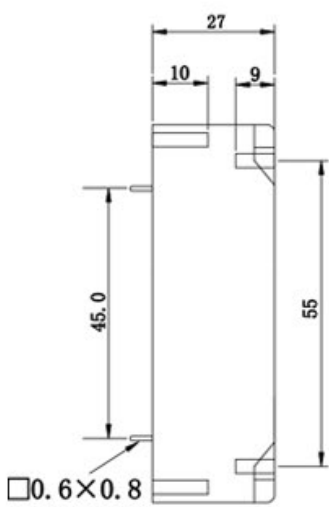
**Vacuum filled casting**

Split bobbin design winding

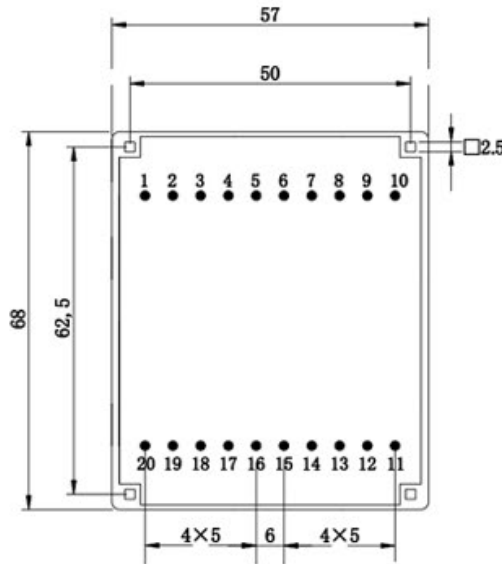
**Dielectric strength 3750Vrms**

PART NO	Output ta 50°C/B	Prim.V	Connecting pins	Operating point sec. ± 10%	Connecting pins	No-load voltage V ± 10%
TG3913-U2-1800-060-D	18.0 W	115	1---4	6V 1500.0mA	12---14	7.4V
		115	6---9	6V 1500.0mA	17---19	7.4V

According to



**Front View**

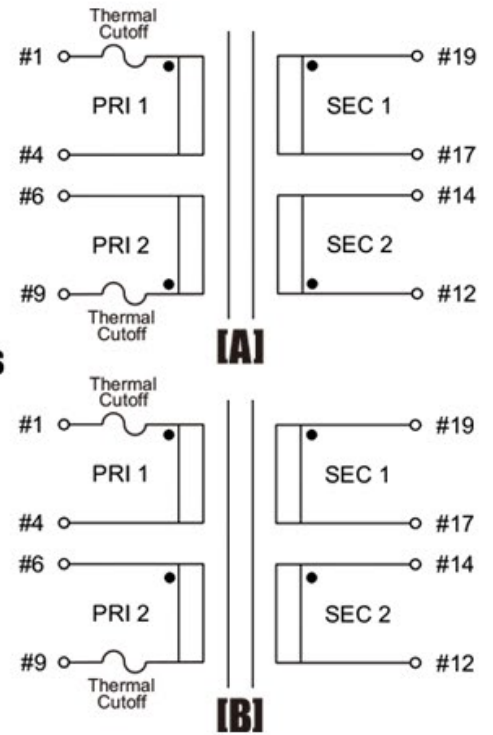


**Bottom View**

Tolerances : <10mm ±0.3mm  
10--70mm ±0.5mm

Custom-made transformer also will be welcome.

**Schematics**



**We made a better future**

[www.tiger-transformer.com](http://www.tiger-transformer.com)

Tel: 86-13605604993  
[sale@tiger-transformer.com](mailto:sale@tiger-transformer.com)

