

Type **UI39/17**

Power **24.0 VA**

Weight **450g**

shipping unit per box: **12 pcs** temperature class: **ta 50°C/B**

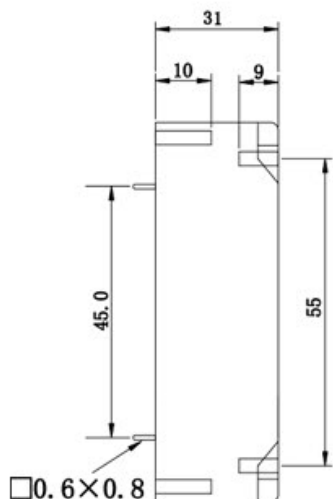
Vacuum filled casting

Split bobbin design winding

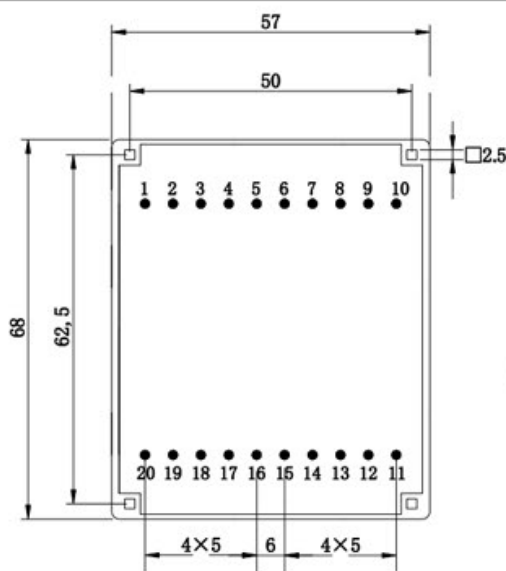
Dielectric strength 3750Vrms

| PART NO | Output ta 50°C/B | Prim.V | Connecting pins | Operating point sec. ± 10% | Connecting pins | No-load voltage V ± 10% |
|----------------------|------------------|--------|-----------------|-------------------------------|-----------------|----------------------------|
| TG3917-U2-2400-060-D | 24.0 W | 115 | 1---4 | 6V 2000.0mA | 12---14 | 7.1V |
| | | 115 | 6---9 | 6V 2000.0mA | 17---19 | 7.1V |

According to



Front View



Bottom View

Tolerances : <10mm ±0.3mm
10--70mm ±0.5mm

Custom-made transformer also will be welcome.

Schematics

