

Type **UI39/17**

Power **24.0 VA**

Weight **450g**

shipping unit per box: **12 pcs** temperature class: **ta 50°C/B**

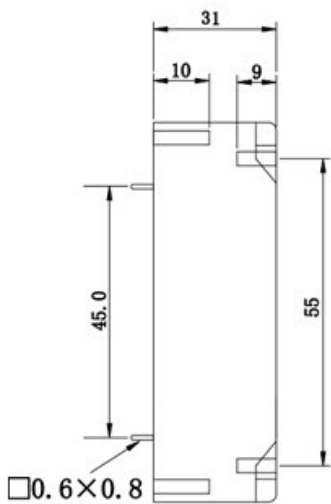
Vacuum filled casting

Split bobbin design winding

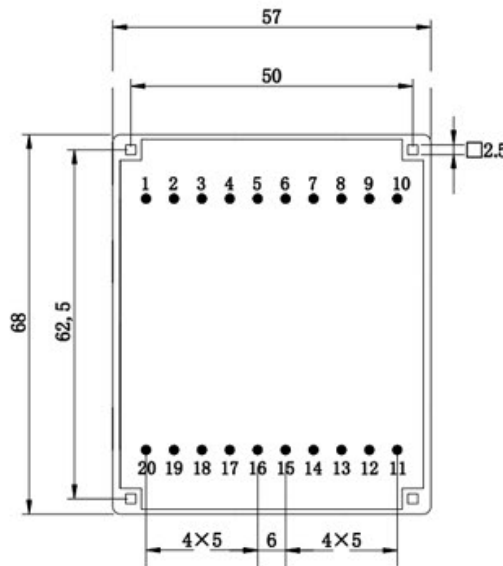
Dielectric strength 3750Vrms

PART NO	Output ta 50°C/B	Prim.V	Connecting pins	Operating point sec. ± 10%	Connecting pins	No-load voltage V ± 10%
TG3917-U2-2400-120-D	24.0 W	115	1---4	12V 1000.0mA	12---14	14.1V
		115	6---9	12V 1000.0mA	17---19	14.1V

According to



Front View



Bottom View

Tolerances : <10mm ±0.3mm
10--70mm ±0.5mm

Custom-made transformer also will be welcome.

Schematics

